

## Countertop shelving RA 2R 134 (T0SE.30134.2)



**SKU: RA 2R 134**

**Dimensions:** 134 × 30 × 70 cm

**Weight:** 10 Kg

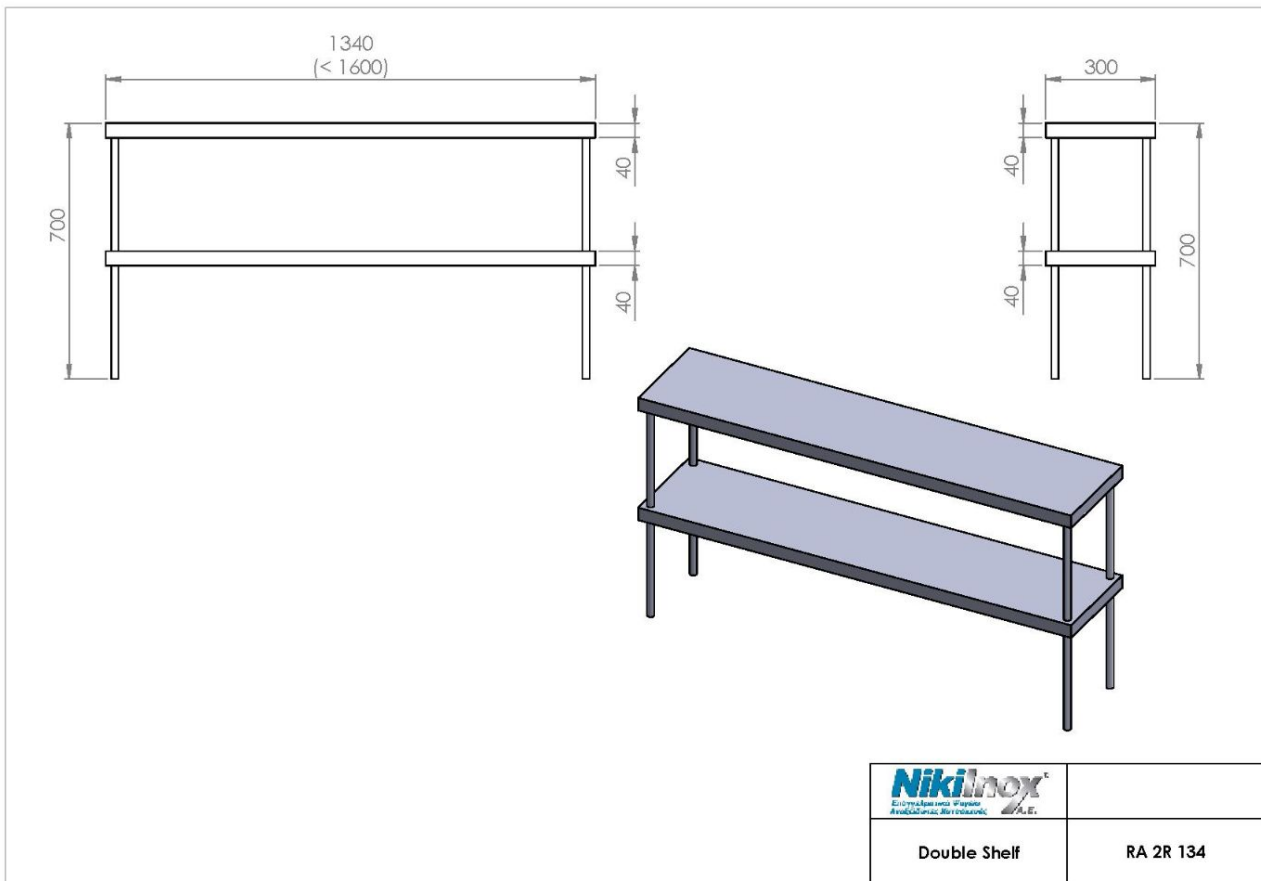
**Recommended industries:** Pizza, RESTAURANTS, STREET FOOD

**Volume (m3):** 0.28

### Product Description

### Product Photos

### Technical Drawing



**NIKI INOX S.A.**

Industrial Area of Thessaloniki

P.O. Box 1056, 57022 Sindos

VAT: 082104633 G.E.MI. No:

38081805000

T: +30 2310 798 696

F: +30 2310 797 920

URL: <https://niki-inox.gr>

E: [info@niki-inox.gr](mailto:info@niki-inox.gr)