

Sink Unit closed LK 3G 230 (LBGS.S7230.35)



SKU: LK 3G 230

Dimensions: 230 × 70 × 88 cm

Weight: 72 Kg

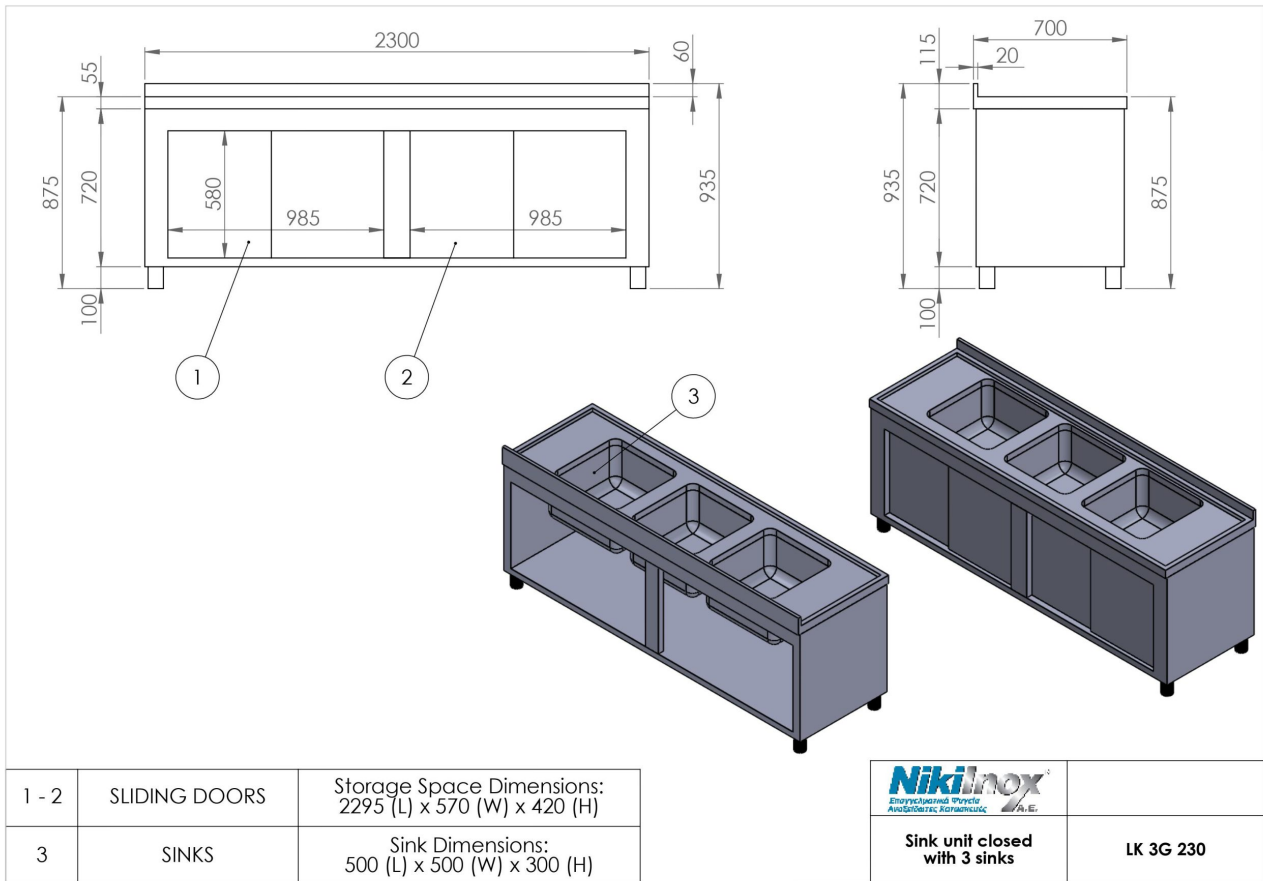
Recommended industries: PATISSERIE, Pizza, RESTAURANTS, SEAFOOD, STREET FOOD

Volume (m3): 1.38

Product Description

Product Photos

Technical Drawing



1 - 2	SLIDING DOORS	Storage Space Dimensions: 2295 (L) x 570 (W) x 420 (H)
3	SINKS	Sink Dimensions: 500 (L) x 500 (W) x 300 (H)

NikiInox Επιχειρηματική Ύψωση Ανοξείδωτες Κοινωνικές Α.Ε.	
Sink unit closed with 3 sinks	LK 3G 230



NIKI INOX S.A.

Industrial Area of Thessaloniki
P.O. Box 1056, 57022 Sindos
VAT: 082104633 G.E.MI. No:
38081805000

T: +30 2310 798 696
F: +30 2310 797 920
URL: <https://niki-inox.gr>
E: info@niki-inox.gr