

Storage Cabinet ER SY 157 (00CU.S7157)



SKU: ER SY 157

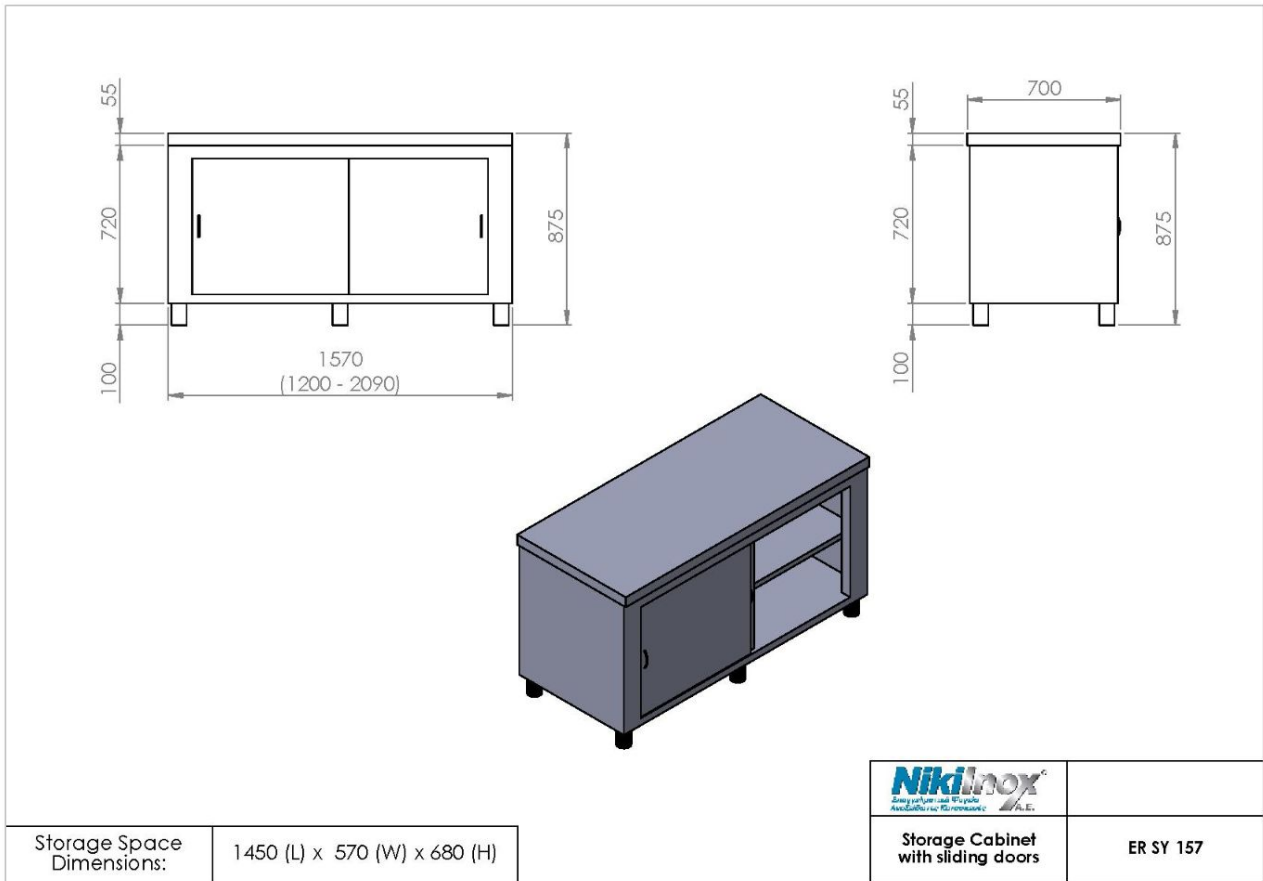
Dimensions: 157 × 70 × 88 cm

Weight: 70 Kg

Product Description

Product Photos

Technical Drawing



Storage Space Dimensions:	1450 (L) x 570 (W) x 680 (H)
---------------------------	------------------------------



NIKI INOX S.A.

Industrial Area of Thessaloniki
 P.O. Box 1056, 57022 Sindos
 VAT: 082104633 G.E.MI. No:
 38081805000

T: +30 2310 798 696
 F: +30 2310 797 920
 URL: <https://niki-inox.gr>
 E: info@niki-inox.gr