

Bain Marie Heated Display MM ET 107G



SKU: MM ET 107G

Dimensions: 107 × 70 × 75 cm

Weight: 45 Kg

Recommended industries: RESTAURANTS, STREET FOOD

Volume (m3): 0.49

Power consumption (W): 2000

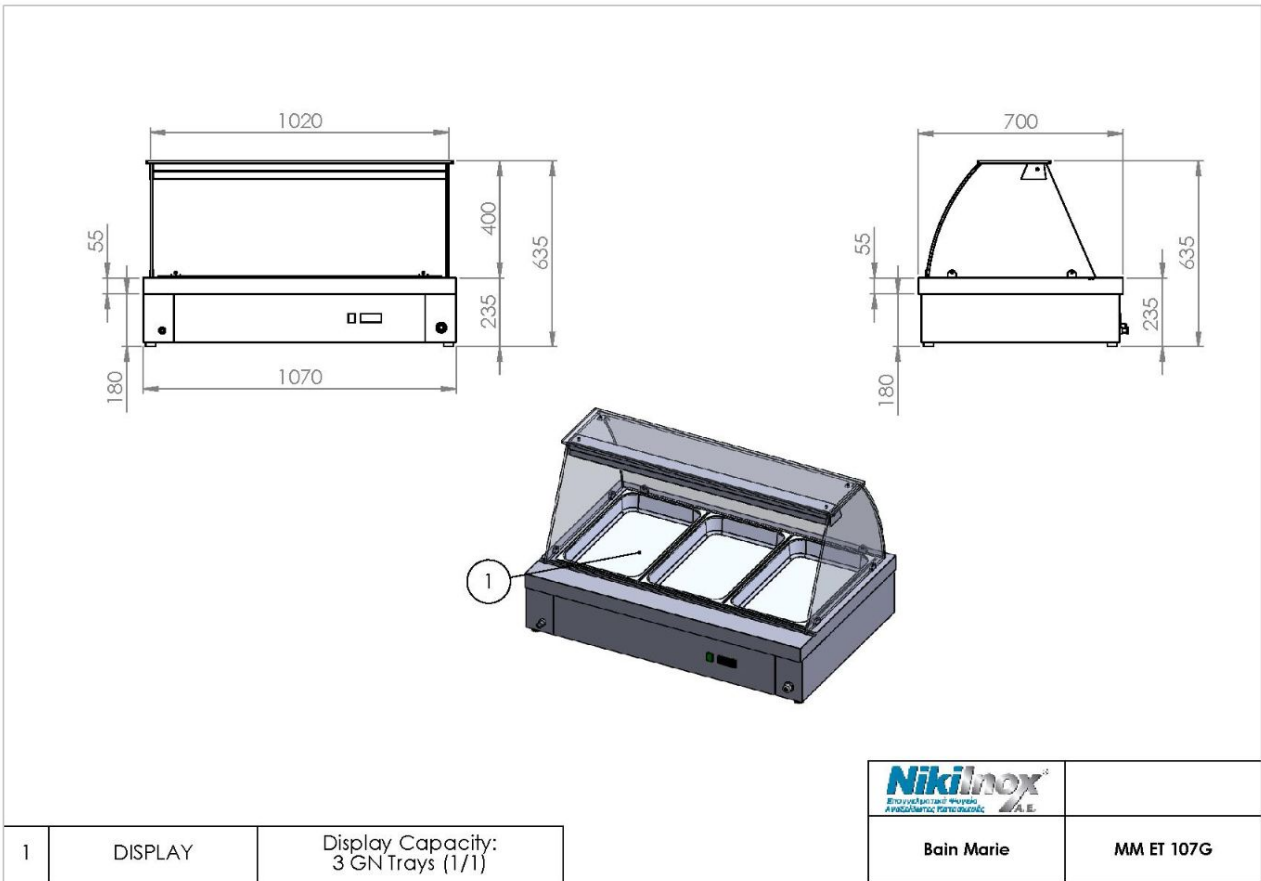
GN Trays: 3 (1/1)

Product Description

Option without top glass

Product Photos

Technical Drawing



NIKI INOX S.A.

Industrial Area of Thessaloniki
 P.O. Box 1056, 57022 Sindos
 VAT: 082104633 G.E.MI. No:
 38081805000

T: +30 2310 798 696
 F: +30 2310 797 920
 URL: <https://niki-inox.gr>
 E: info@niki-inox.gr