

## Bain Marie Heated Display MM ED 107G (00MM.70107H.31)



**SKU: MM ED 107G**

**Dimensions:** 107 × 70 × 129 cm

**Weight:** 100 Kg

**Recommended industries:** RESTAURANTS, STREET FOOD

**Volume (m3):** 0.94

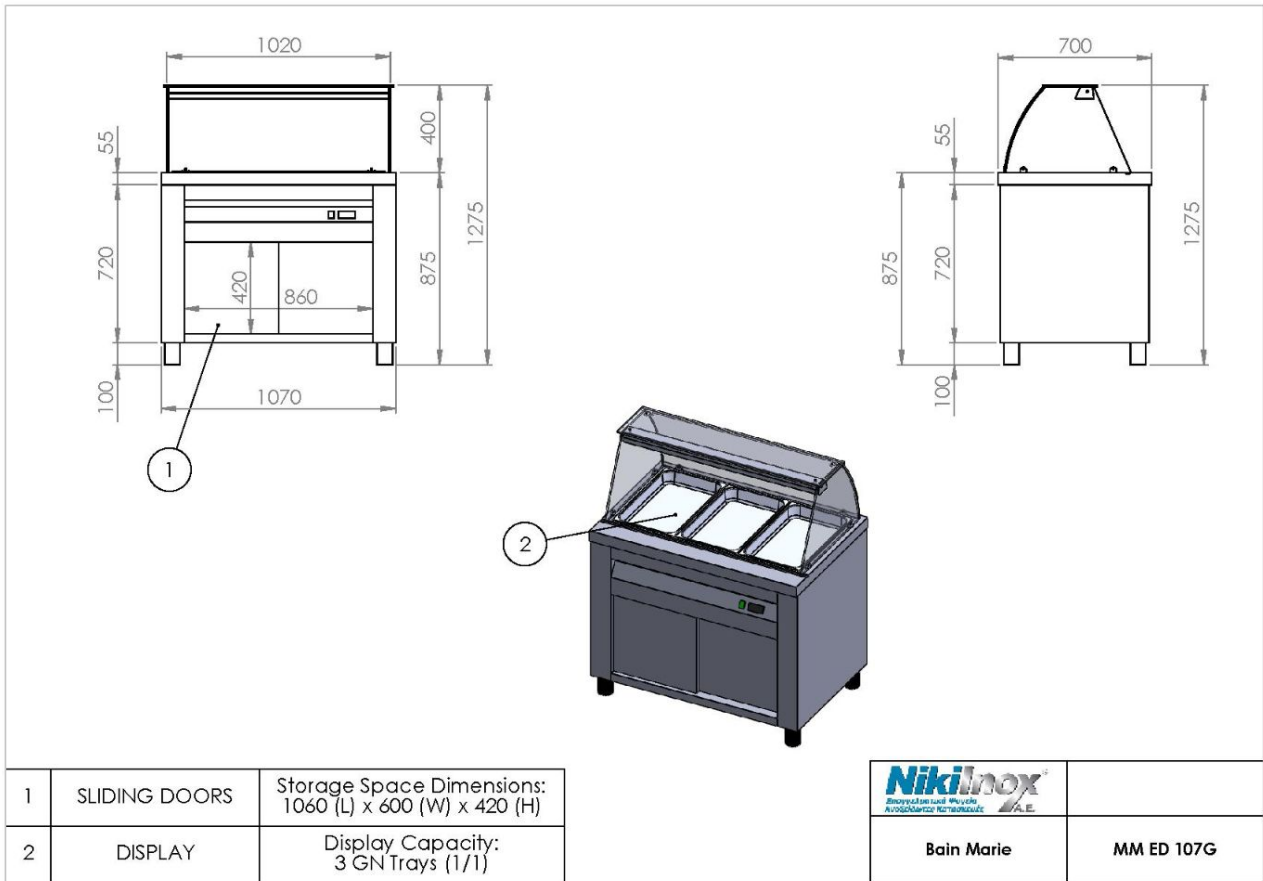
**Power consumption (W):** 2000

**GN Trays:** 3 (1/1)

### Product Description

### Product Photos

### Technical Drawing



**NIKI INOX S.A.**

Industrial Area of Thessaloniki  
 P.O. Box 1056, 57022 Sindos  
 VAT: 082104633 G.E.MI. No:  
 38081805000

T: +30 2310 798 696  
 F: +30 2310 797 920  
 URL: <https://niki-inox.gr>  
 E: [info@niki-inox.gr](mailto:info@niki-inox.gr)