

## Refrigerated Fish Storage PS GN 089K (B0PA.FG089P.00)



**SKU: PS GN 089K**

**Dimensions:** 89 × 70 × 115 cm

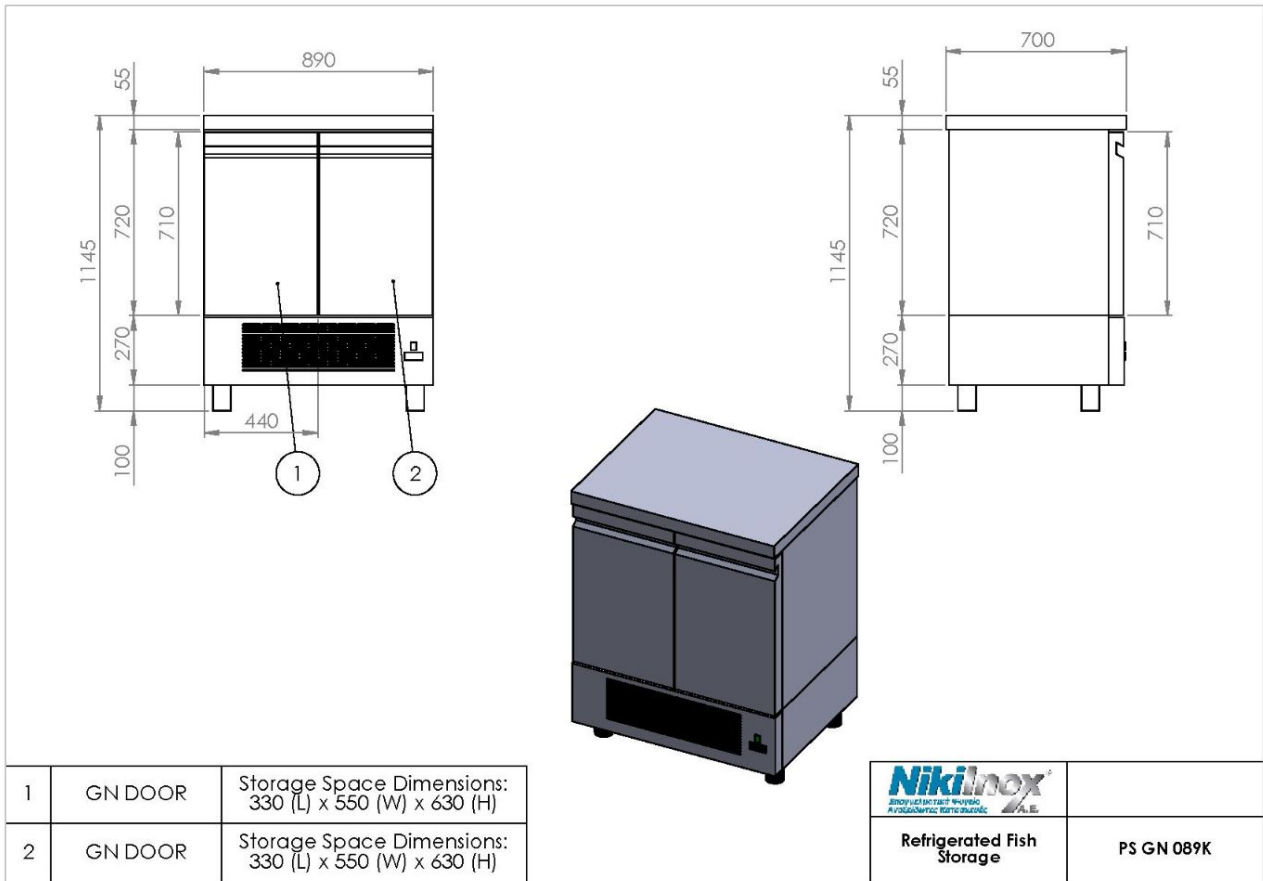
**Weight:** 88 Kg

### Product Description

All refrigerators have insulation polyurethane, 1 shelf per door, magnetic sealing rubbers (Easy to change) and electronic thermostat with automatic defrost.

### Product Photos

### Technical Drawing



**NIKI INOX S.A.**

Industrial Area of Thessaloniki  
 P.O. Box 1056, 57022 Sindos  
 VAT: 082104633 G.E.MI. No:  
 38081805000

T: +30 2310 798 696  
 F: +30 2310 797 920  
 URL: <https://niki-inox.gr>  
 E: [info@niki-inox.gr](mailto:info@niki-inox.gr)