

## Heated Tabletop Display with airflow BI HE 110 (B0BI.68110H.31)



**SKU: BI HE 110**

**Dimensions:** 110 × 68 × 68 cm

**Weight:** 69 Kg

**Recommended industries:** STREET FOOD

**Volume (m3):** 0.51

**Power consumption (W):** 2200

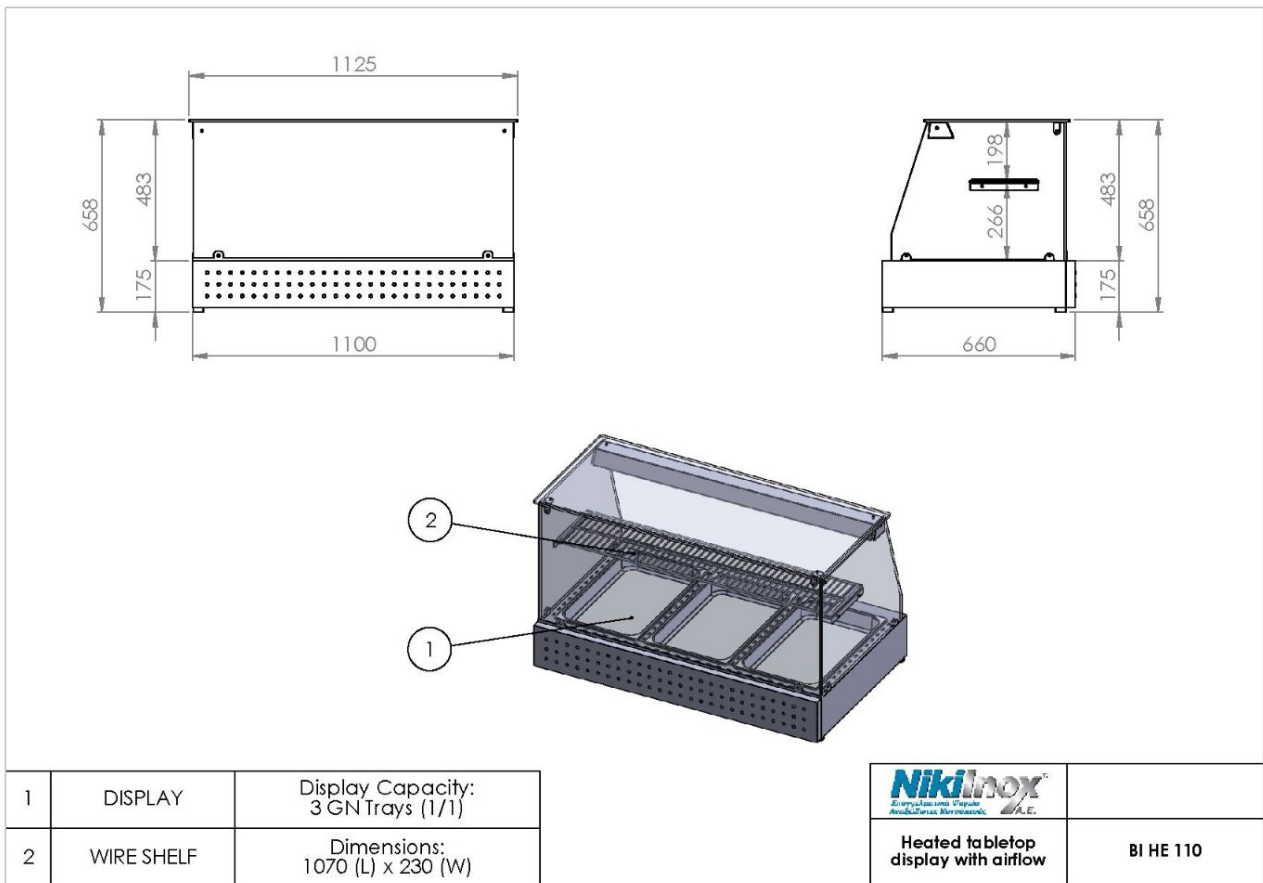
**GN Trays:** 3

### Product Description

With halogen lamps, integrated humidifier for cooked food with GN containers or for puff pastry with INOX surface.

### Product Photos

### Technical Drawing



**NIKI INOX S.A.**

Industrial Area of Thessaloniki

P.O. Box 1056, 57022 Sindos

VAT: 082104633 G.E.MI. No:

38081805000

T: +30 2310 798 696

F: +30 2310 797 920

URL: <https://niki-inox.gr>

E: [info@niki-inox.gr](mailto:info@niki-inox.gr)