

Heated Tabletop Display with airflow BI HE 110C (BCBI.68110H.31)



SKU: BI HE 110C

Dimensions: 110 × 68 × 68 cm

Weight: 69 Kg

Recomended industries: STREET FOOD

Volume (m3): 0.51

Power consumption (W): 2200

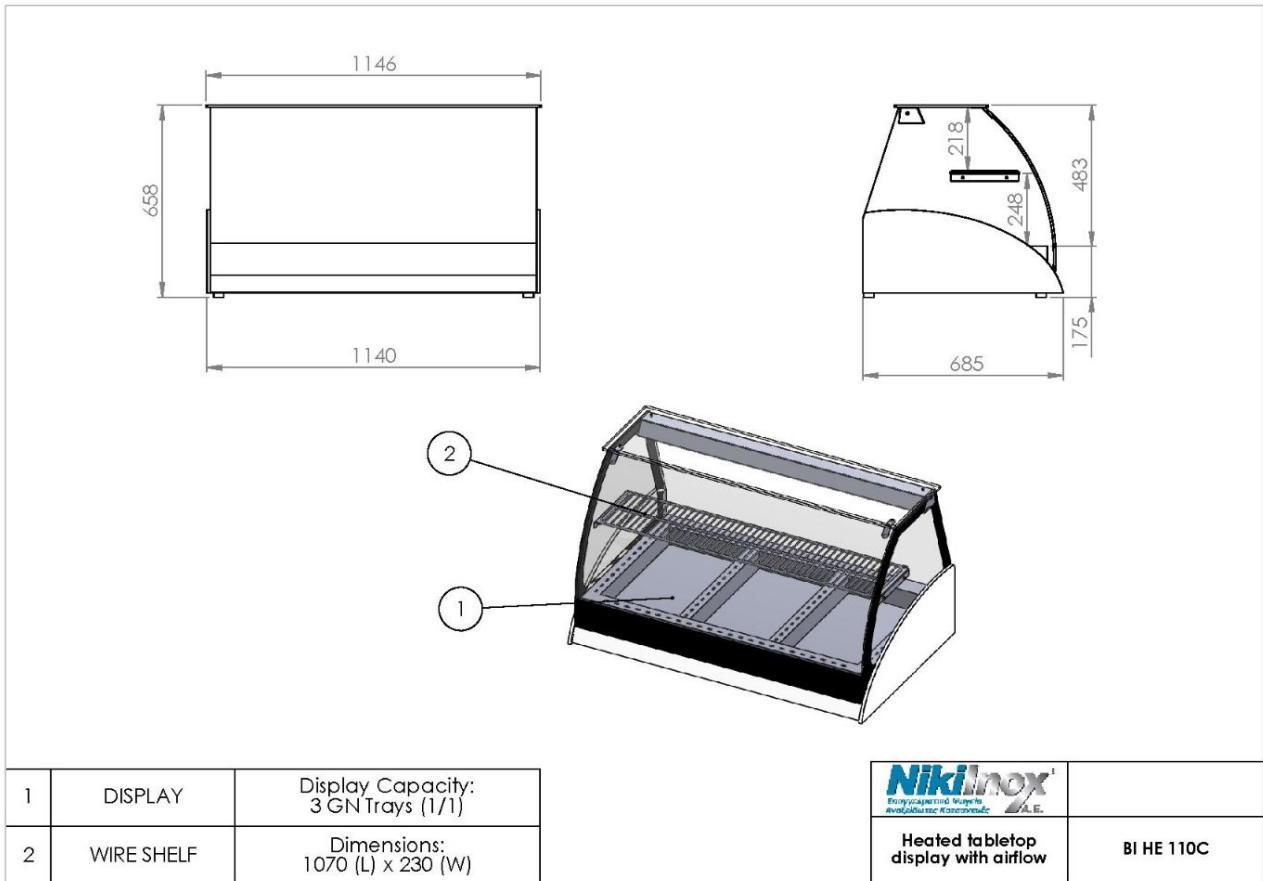
GN Trays: 3

Product Description

With halogen lamps, integrated humidifier for cooked food with GN containers or for puff pastry with INOX surface.

Product Photos

Technical Drawing



NIKI INOX S.A.

Industrial Area of Thessaloniki
 P.O. Box 1056, 57022 Sindos
 VAT: 082104633 G.E.MI. No:
 38081805000

T: +30 2310 798 696
 F: +30 2310 797 920
 URL: <https://niki-inox.gr>
 E: info@niki-inox.gr