

Heated Tabletop Display THE ET 089 (B0BI.70089H)



SKU: THE ET 089

Dimensions: 89 × 70 × 56 cm

Weight: 40 Kg

Recommended industries: STREET FOOD

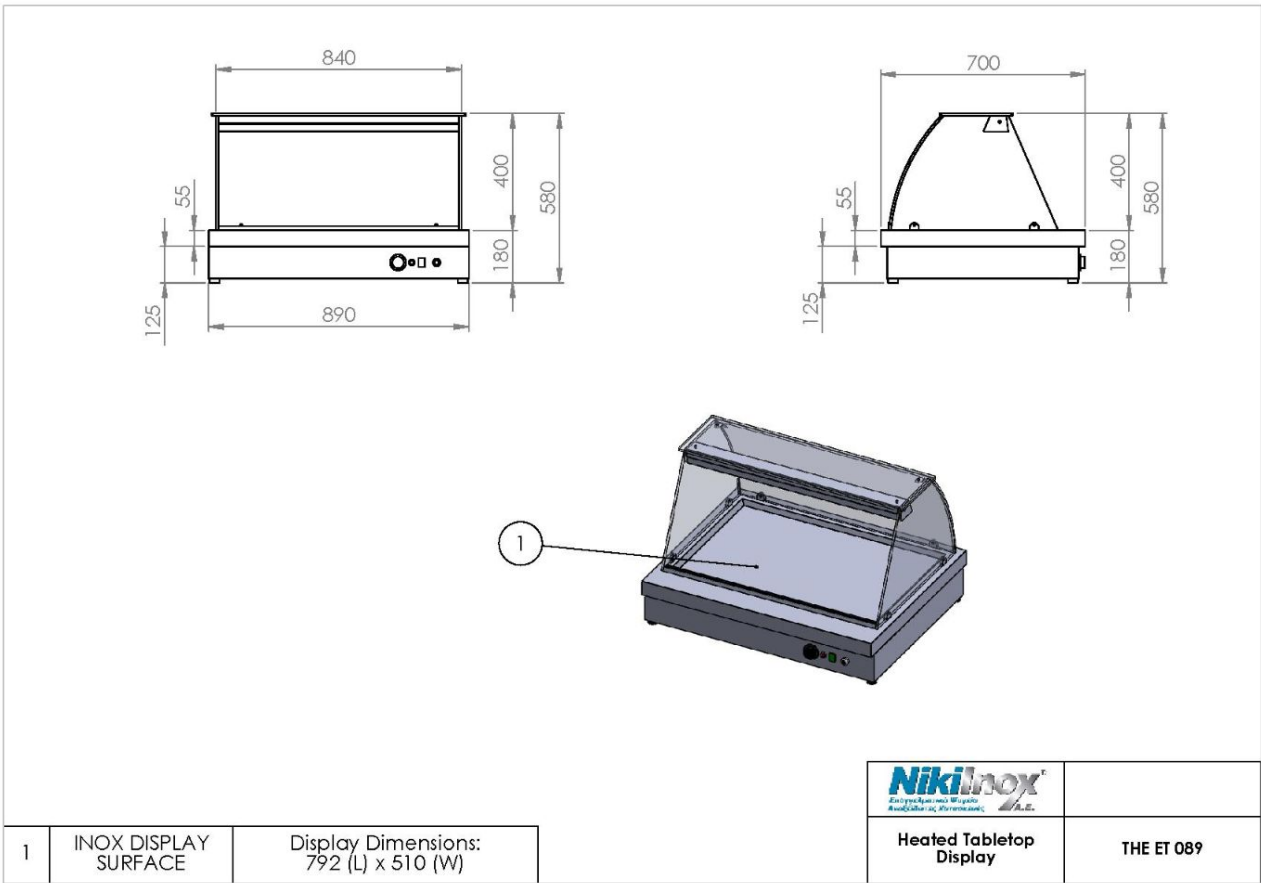
Volume (m3): 0.35

Power consumption (W): 1700

Product Description

Product Photos

Technical Drawing



NIKI INOX S.A.

Industrial Area of Thessaloniki
P.O. Box 1056, 57022 Sindos
VAT: 082104633 G.E.MI. No:
38081805000

T: +30 2310 798 696
F: +30 2310 797 920
URL: <https://niki-inox.gr>
E: info@niki-inox.gr