

Heated Display with airflow THE 80 179A (H0HC.80179S)



SKU: THE 80 179A

Dimensions: 179 × 80 × 129 cm

Weight: 119 Kg

Recommended industries: GENERAL USE

Volume (m3): 1.75

Power consumption (W): 2100

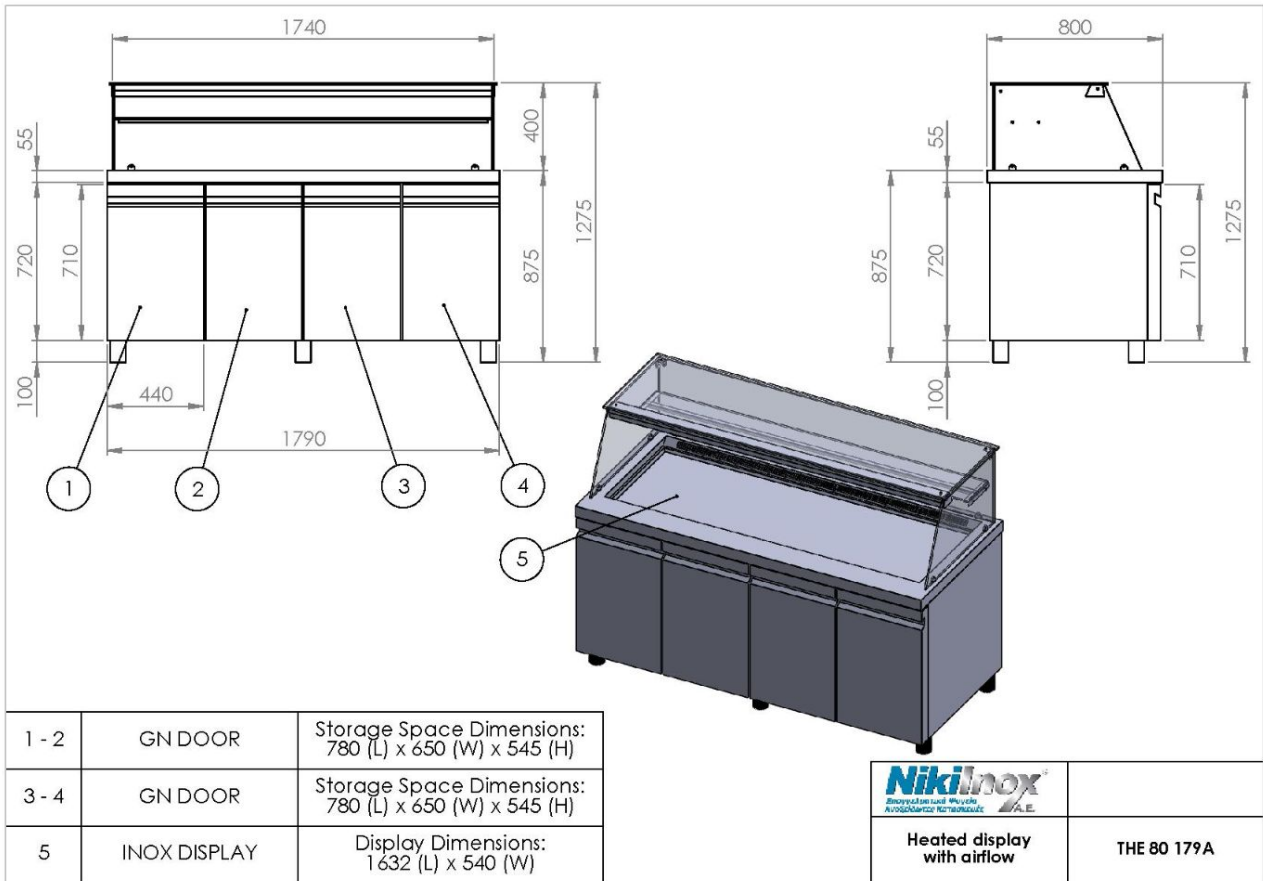
Doors: 3

Product Description

All refrigerators have insulation polyurethane, 1 shelf per door, magnetic sealing rubbers (Easy to change) and electronic thermostat with automatic defrost.

Product Photos

Technical Drawing



NIKI INOX S.A.

Industrial Area of Thessaloniki
P.O. Box 1056, 57022 Sindos
VAT: 082104633 G.E.MI. No:
38081805000

T: +30 2310 798 696

F: +30 2310 797 920

URL: <https://niki-inox.gr>

E: info@niki-inox.gr

