

## Refrigerated Salad Display VI XA 179M (R0S8.80179S)



**SKU: VI XA 179M**

**Dimensions:** 179 × 80 × 129 cm

**Weight:** 210 Kg

**Recommended industries:** GENERAL USE

**GN Capacity:** 20 GN 1/4

**Capacity:** 690

**Lower Temperature (C):** +3

**Horse Power (HP):** 1/2

**Higher Temperature (C):** +6

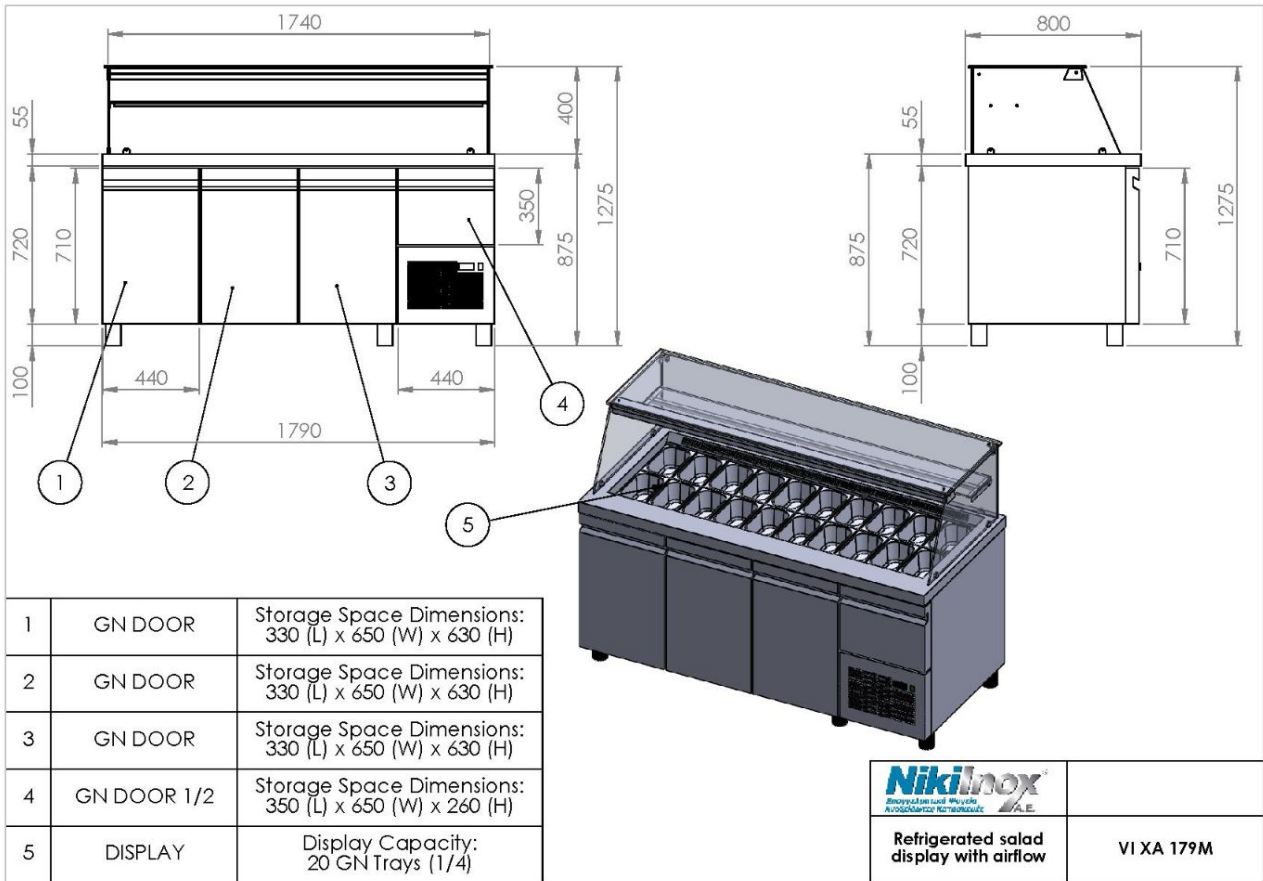
**Volume (m3):** 1.96

**Doors:** 2.5

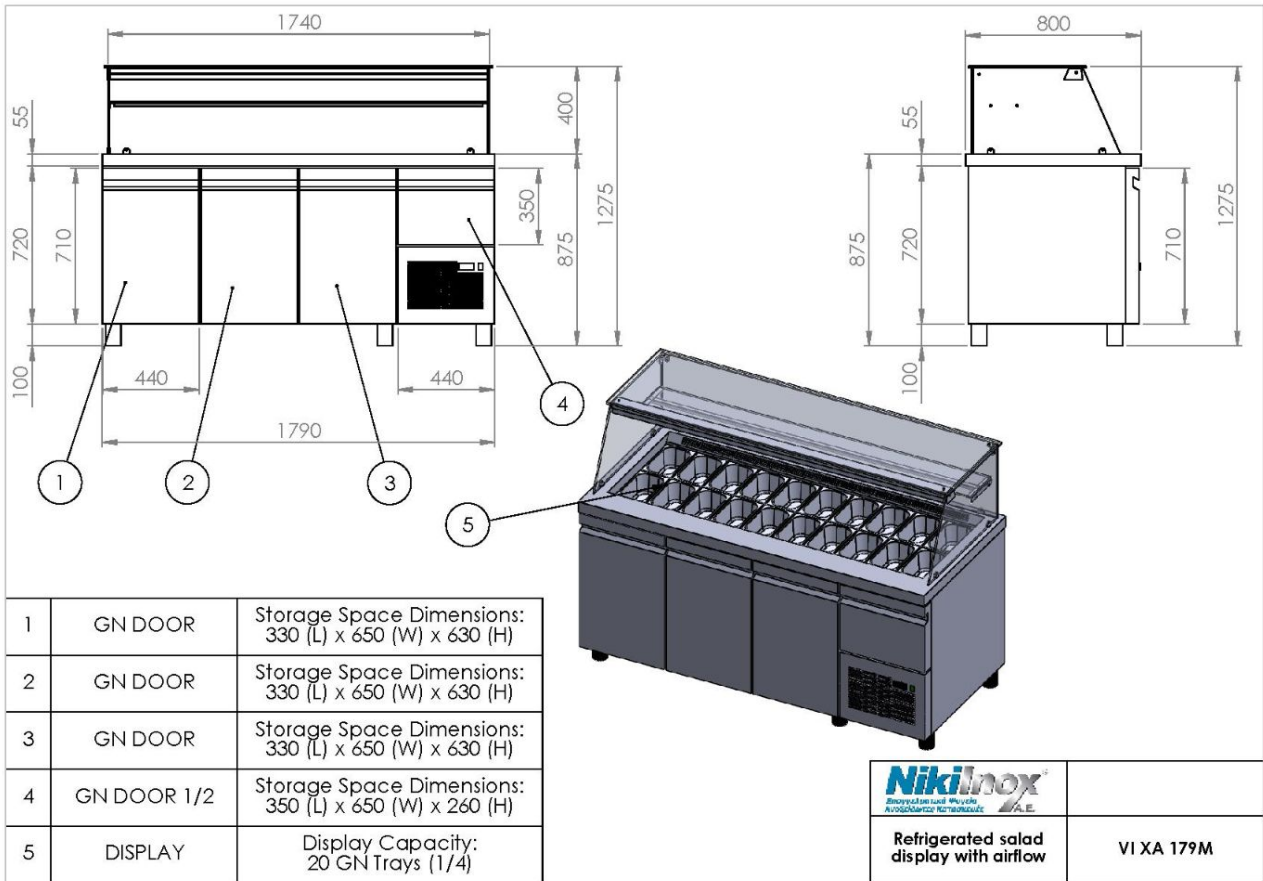
### Product Description

All refrigerators have insulation polyurethane, 1 shelf per door, magnetic sealing rubbers (Easy to change) and electronic thermostat with automatic defrost.

### Product Photos



## Technical Drawing



**NIKI INOX S.A.**

Industrial Area of Thessaloniki

P.O. Box 1056, 57022 Sindos

VAT: 082104633 G.E.MI. No:

38081805000

T: +30 2310 798 696

F: +30 2310 797 920

URL: <https://niki-inox.gr>

E: [info@niki-inox.gr](mailto:info@niki-inox.gr)