

## Refrigerated Pizza counter PA PI 155M (R0PA.P8157R.00)



**SKU: PA PI 155M**

**Dimensions:** 157 × 80 × 110 cm

**Weight:** 225 Kg

**Recommended industries:** Pizza

**Capacity:** 410

**Horse Power (HP):** 1/4

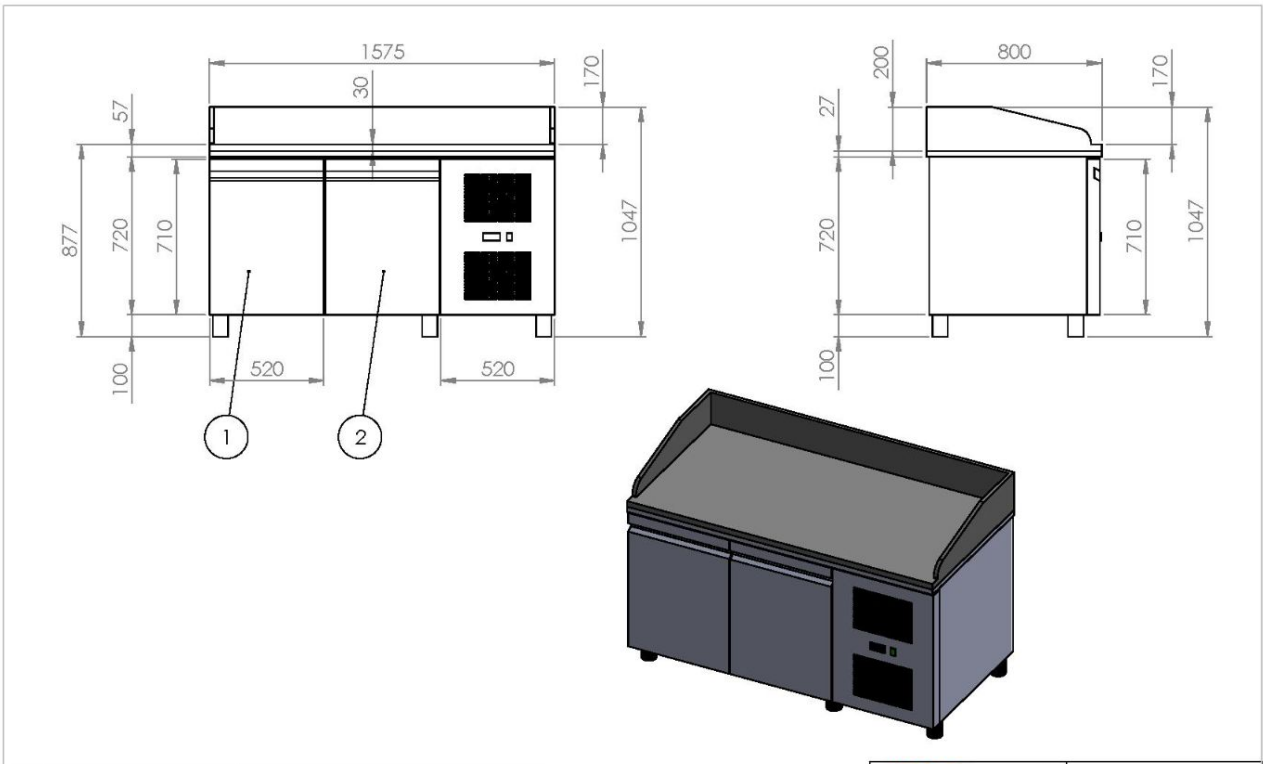
**Volume (m3):** 1.38

**Doors:** 2

### Product Description

All refrigerators have insulation polyurethane, 1 shelf per door, magnetic sealing rubbers (Easy to change) and electronic thermostat with automatic defrost.

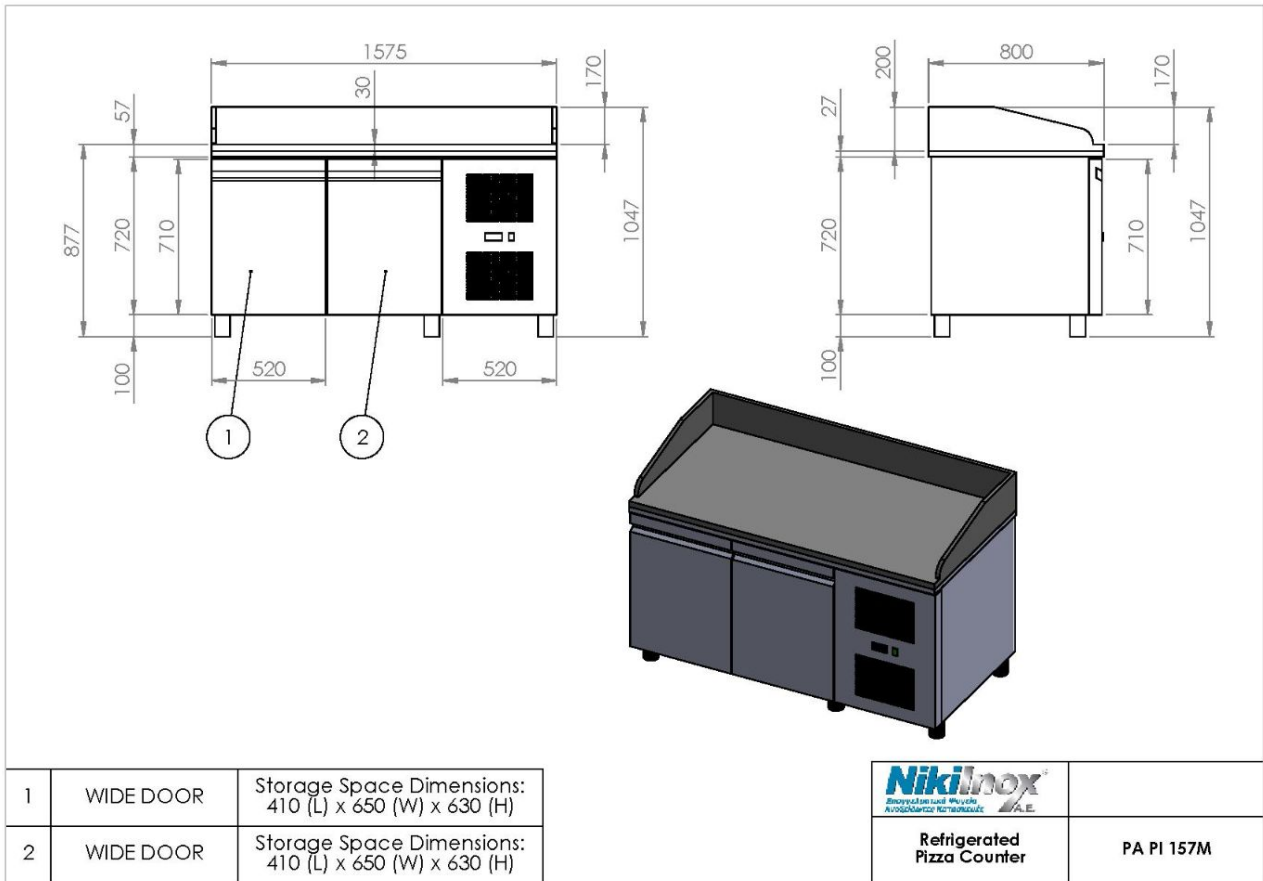
### Product Photos



1	WIDE DOOR	Storage Space Dimensions: 410 (L) x 650 (W) x 630 (H)
2	WIDE DOOR	Storage Space Dimensions: 410 (L) x 650 (W) x 630 (H)

	
Refrigerated Pizza Counter	PA PI 157M

**Technical Drawing**



**NIKI INOX S.A.**

Industrial Area of Thessaloniki  
 P.O. Box 1056, 57022 Sindos  
 VAT: 082104633 G.E.MI. No:  
 38081805000

T: +30 2310 798 696  
 F: +30 2310 797 920  
 URL: <https://niki-inox.gr>  
 E: [info@niki-inox.gr](mailto:info@niki-inox.gr)