

---

## Undercounter Refrigerator without compressor PA X6 150A (R0PA.X6150A.000)



**SKU: PA X6 150A**

**Dimensions:** 150 × 60 × 64 cm

**Weight:** 104 Kg

**Recomended industries:** GENERAL USE

**Capacity:** 255

**Volume (m3):** 0.58

**Doors:** 3

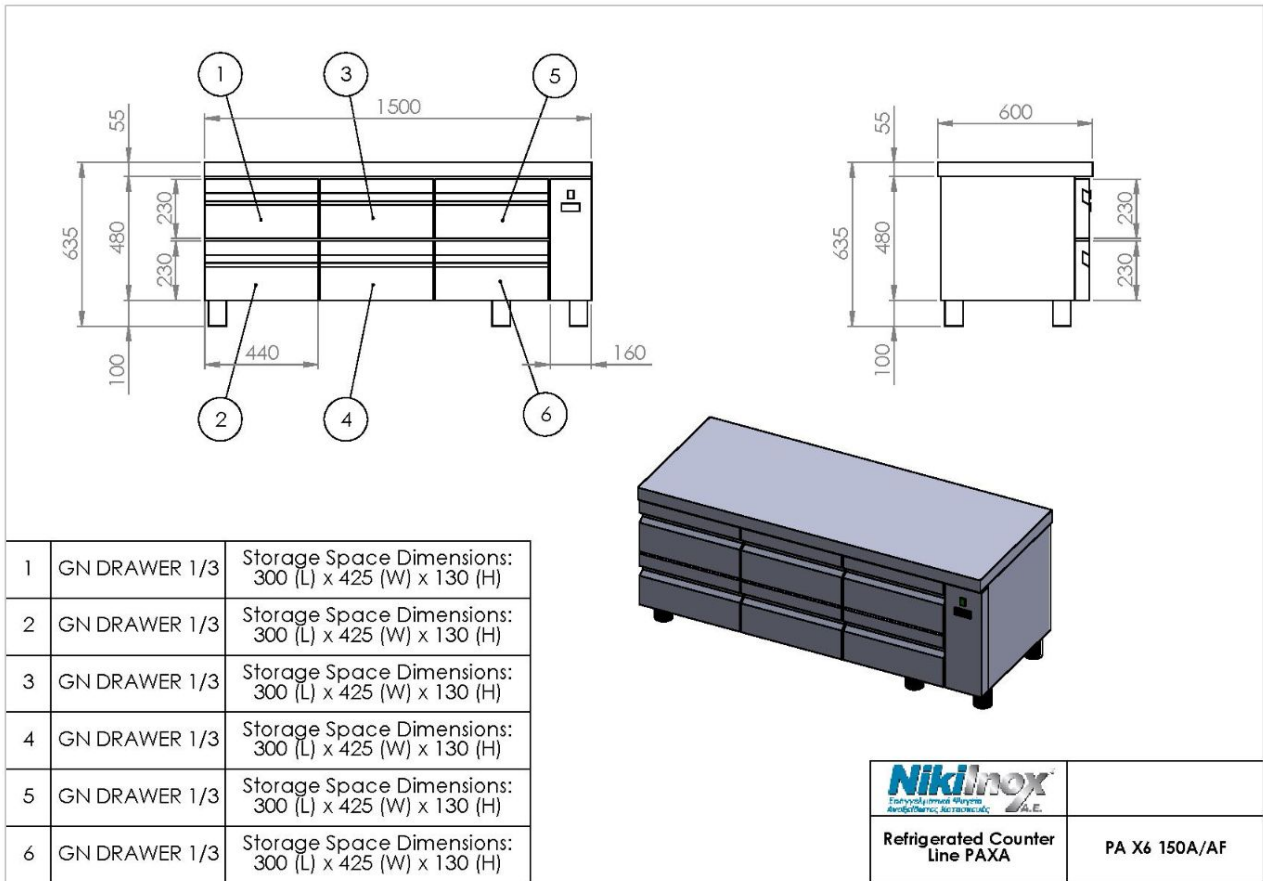
### Product Description

All refrigerators have insulation polyurethane, magnetic sealing rubbers (Easy to change) and electronic thermostat with automatic defrost.

### Product Photos



Technical Drawing



## NIKI INOX S.A.

Industrial Area of Thessaloniki

P.O. Box 1056, 57022 Sindos

VAT: 082104633 G.E.MI. No:

38081805000

T: +30 2310 798 696

F: +30 2310 797 920

URL: <https://niki-inox.gr>

E: [info@niki-inox.gr](mailto:info@niki-inox.gr)

