
Undercounter Refrigerator without compressor PA XA 150A (R0PA.XA150A.000)



SKU: PA XA 150A

Dimensions: 150 × 70 × 64 cm

Weight: 120 Kg

Recomended industries: GENERAL USE

Capacity: 287

Volume (m3): 0.67

Doors: 3

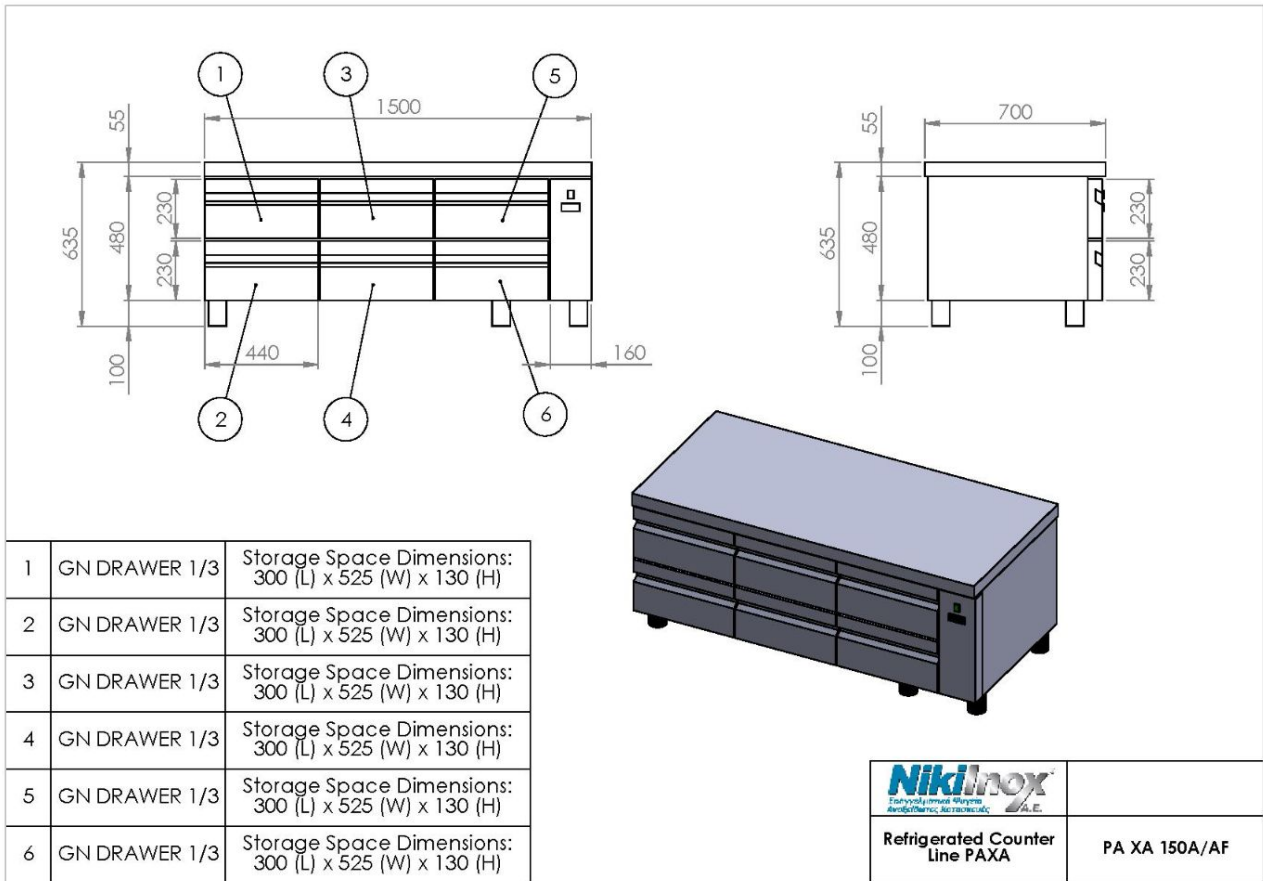
Product Description

All refrigerators have insulation polyurethane, magnetic sealing rubbers (Easy to change) and electronic thermostat with automatic defrost.

Product Photos



Technical Drawing



NIKI INOX S.A.

Industrial Area of Thessaloniki

P.O. Box 1056, 57022 Sindos

VAT: 082104633 G.E.MI. No:

38081805000

T: +30 2310 798 696

F: +30 2310 797 920

URL: <https://niki-inox.gr>

E: info@niki-inox.gr

