
Freezer Counter without compressor PA 80 173AF (R0PA.80173N.000)



SKU: PA 80 173AF

Dimensions: 173 × 80 × 88 cm

Weight: 130 Kg

Line: Line 80

Recommended industries: GENERAL USE

Capacity: 622

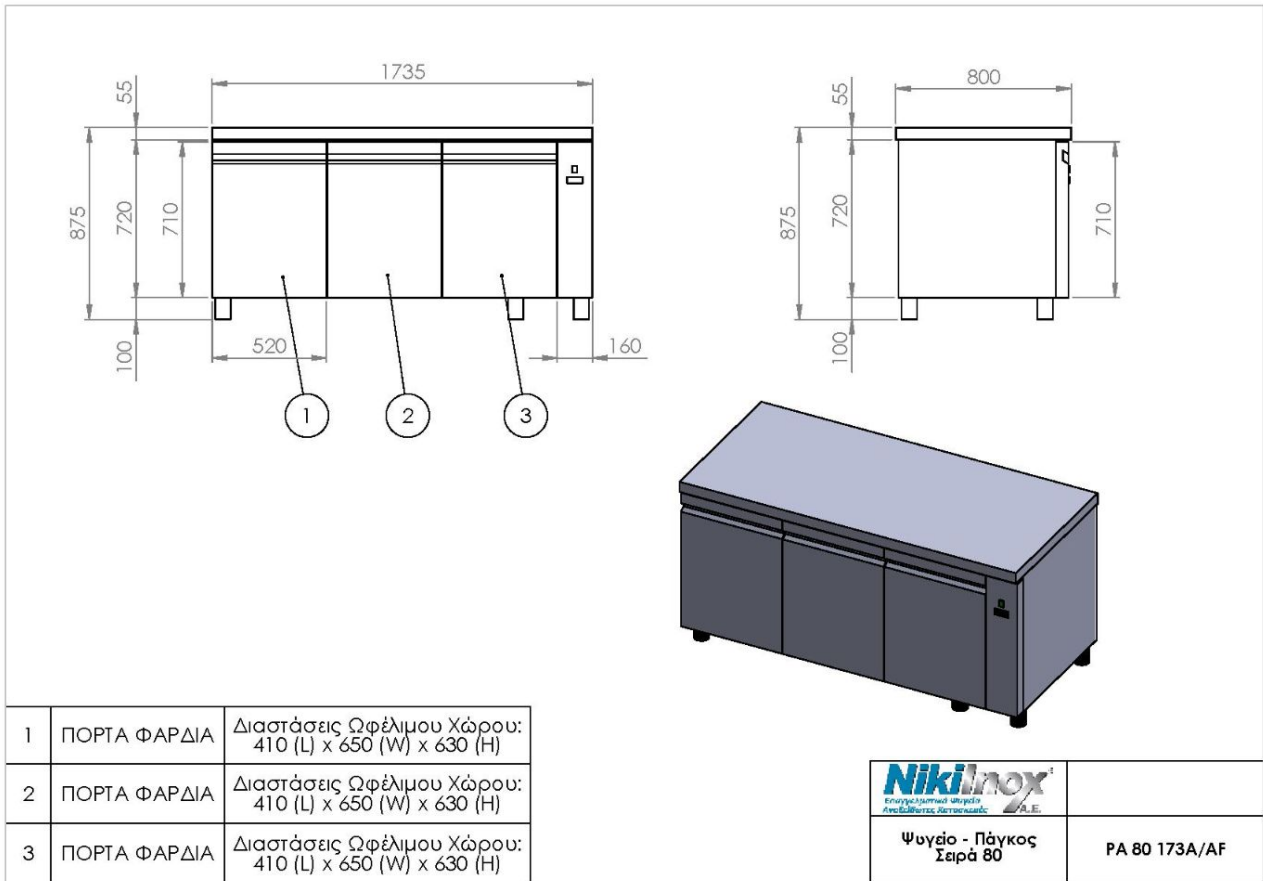
Volume (m3): 1.19

Doors: 3

Product Description

All refrigerators have insulation polyurethane, 1 shelf per door, magnetic sealing rubbers (Easy to change) and electronic thermostat with automatic defrost.

Product Photos



Technical Drawing



NIKI INOX S.A.

Industrial Area of Thessaloniki
 P.O. Box 1056, 57022 Sindos
 VAT: 082104633 G.E.MI. No:
 38081805000

T: +30 2310 798 696
 F: +30 2310 797 920
 URL: <https://niki-inox.gr>
 E: info@niki-inox.gr