

## Refrigerated Counter with compressor PA 70 157M (R0PA.70157R.00H)



**SKU: PA 70 157M**

**Dimensions:** 157 × 70 × 88 cm

**Weight:** 120 Kg

**Line:** Line 70

**Recommended industries:** RESTAURANTS, STREET FOOD

**Capacity:** 439

**Lower Temperature (C):** -1

**Horse Power (HP):** 1/4

**Higher Temperature (C):** +8

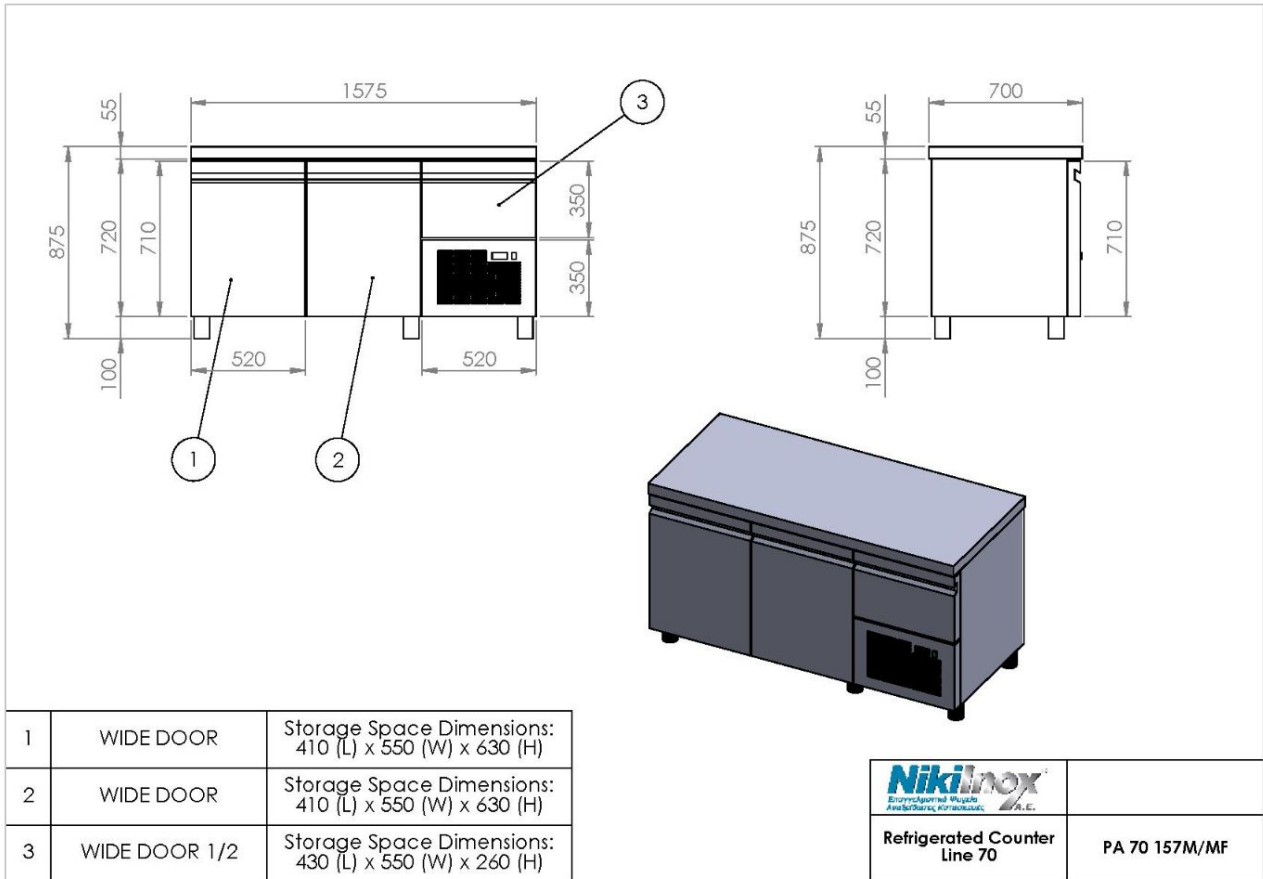
**Volume (m3):** 0.96

**Doors:** 2.5

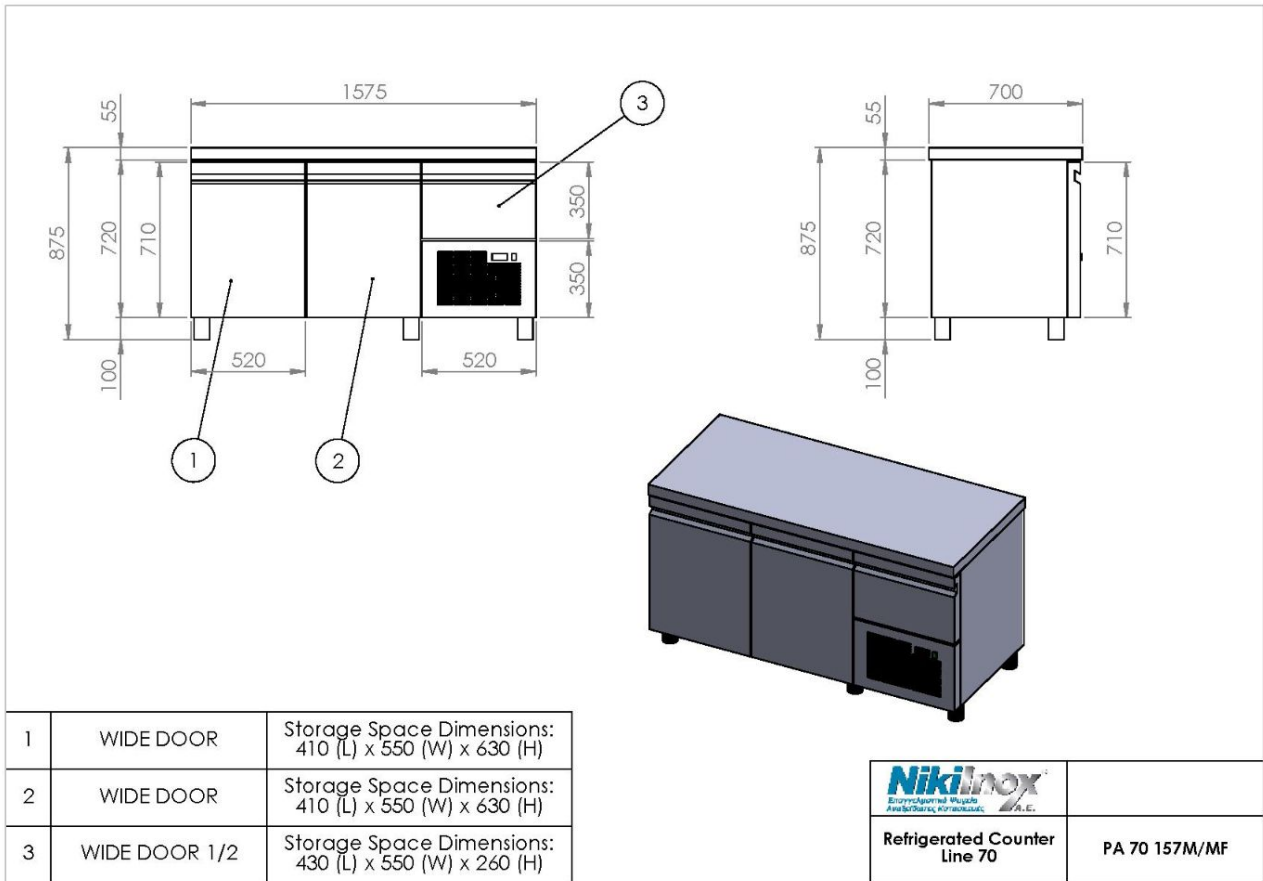
### Product Description

All refrigerators have insulation polyurethane, 1 shelf per door, magnetic sealing rubbers (Easy to change) and electronic thermostat with automatic defrost.

## Product Photos



## Technical Drawing



**NIKI INOX S.A.**

Industrial Area of Thessaloniki

P.O. Box 1056, 57022 Sindos

VAT: 082104633 G.E.MI. No:

38081805000

T: +30 2310 798 696

F: +30 2310 797 920

URL: <https://niki-inox.gr>

E: [info@niki-inox.gr](mailto:info@niki-inox.gr)

