

---

## Refrigerated Counter without compressor PA 60 195A (R0PA.60195A.0000)



**SKU: PA 60 195A**

**Dimensions:** 195 × 60 × 88 cm

**Weight:** 130 Kg

**Recommended industries:** GENERAL USE

**Volume (m3):** 1.01

**Capacity:** 503

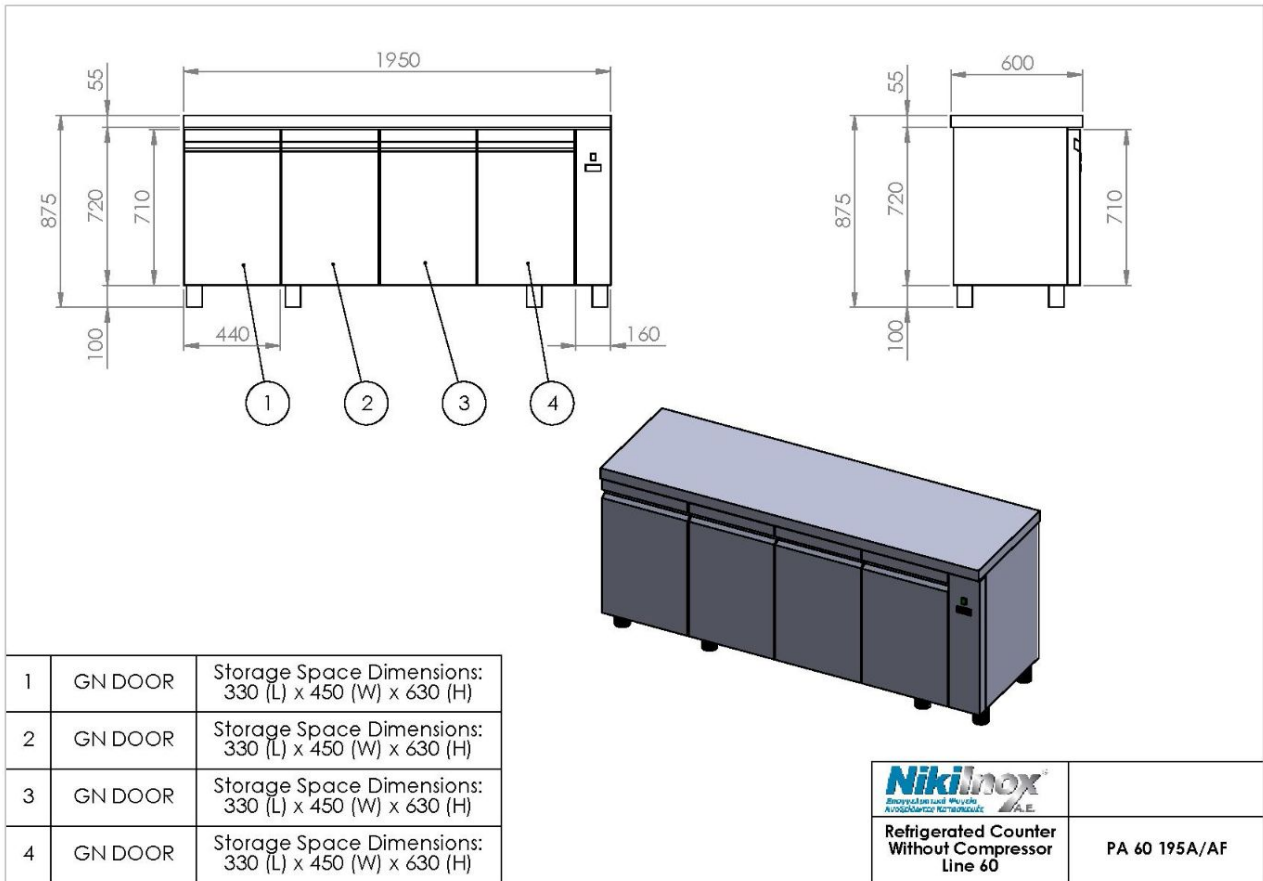
**Doors:** 4

### Product Description

All refrigerators have insulation polyurethane, 1 shelf per door, magnetic sealing rubbers (Easy to change) and electronic thermostat with automatic defrost.

### Product Photos

### Technical Drawing



**NIKI INOX S.A.**

Industrial Area of Thessaloniki  
P.O. Box 1056, 57022 Sindos  
VAT: 082104633 G.E.MI. No:  
38081805000

T: +30 2310 798 696  
F: +30 2310 797 920  
URL: <https://niki-inox.gr>  
E: [info@niki-inox.gr](mailto:info@niki-inox.gr)