
Refrigerated Counter without compressor PA 60 150A (R0PA.60150A.000)



SKU: PA 60 150A

Dimensions: 150 × 60 × 88 cm

Weight: 95 Kg

Recomended industries: GENERAL USE

Volume (m3): 0.77

Capacity: 379

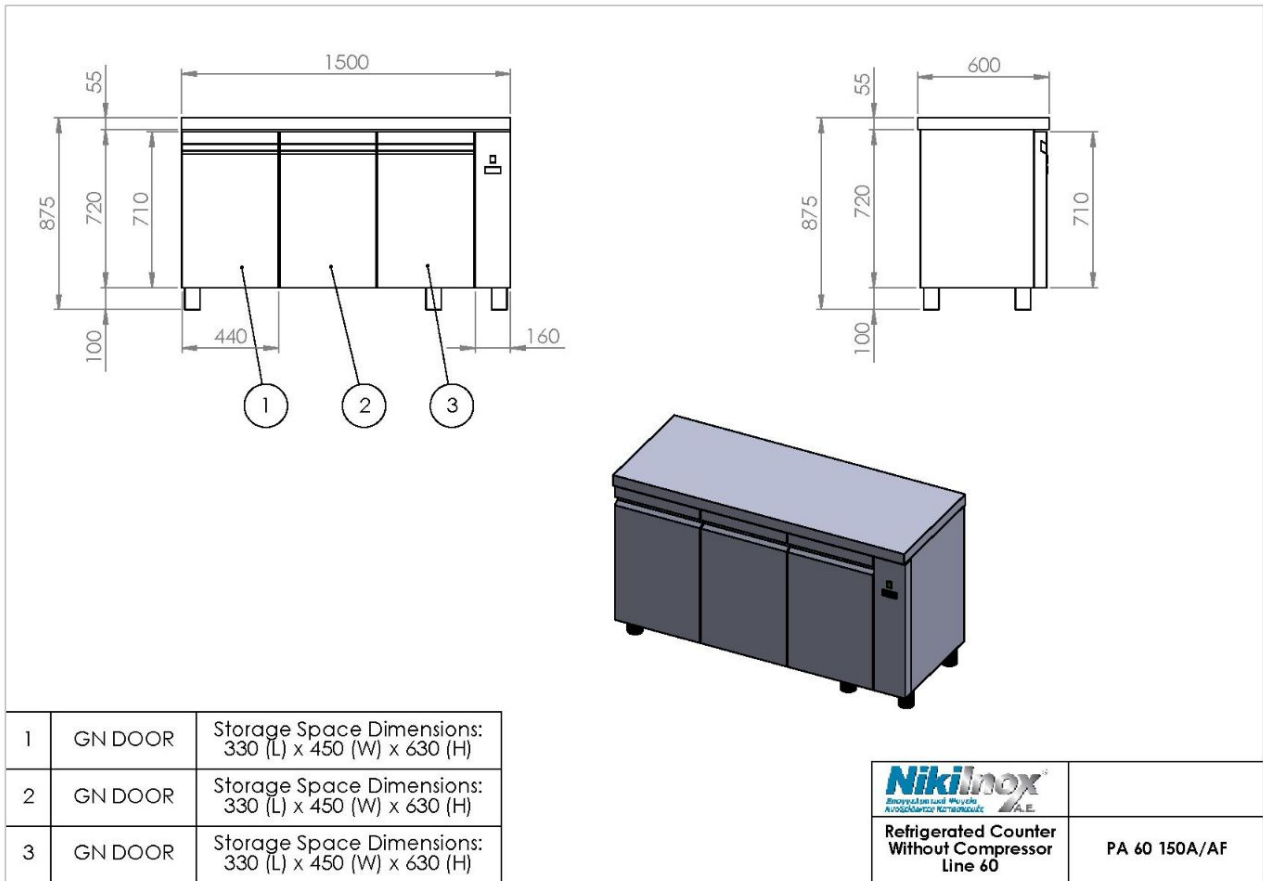
Doors: 3

Product Description

All refrigerators have insulation polyurethane, 1 shelf per door, magnetic sealing rubbers (Easy to change) and electronic thermostat with automatic defrost.

Product Photos

Technical Drawing



1	GN DOOR	Storage Space Dimensions: 330 (L) x 450 (W) x 630 (H)
2	GN DOOR	Storage Space Dimensions: 330 (L) x 450 (W) x 630 (H)
3	GN DOOR	Storage Space Dimensions: 330 (L) x 450 (W) x 630 (H)



NIKI INOX S.A.

Industrial Area of Thessaloniki
 P.O. Box 1056, 57022 Sindos
 VAT: 082104633 G.E.MI. No:
 38081805000

T: +30 2310 798 696
 F: +30 2310 797 920
 URL: <https://niki-inox.gr>
 E: info@niki-inox.gr