

Refrigerated Counter with compressor PA 60 134M (R0PA.60134R.00H)



SKU: PA 60 134M

Dimensions: 134 × 60 × 88 cm

Weight: 103 Kg

Recomended industries: STREET FOOD

Higher Temperature (C): +8

Lower Temperature (C): -1

Volume (m3): 0.69

Capacity: 305

Horse Power (HP): 1/4

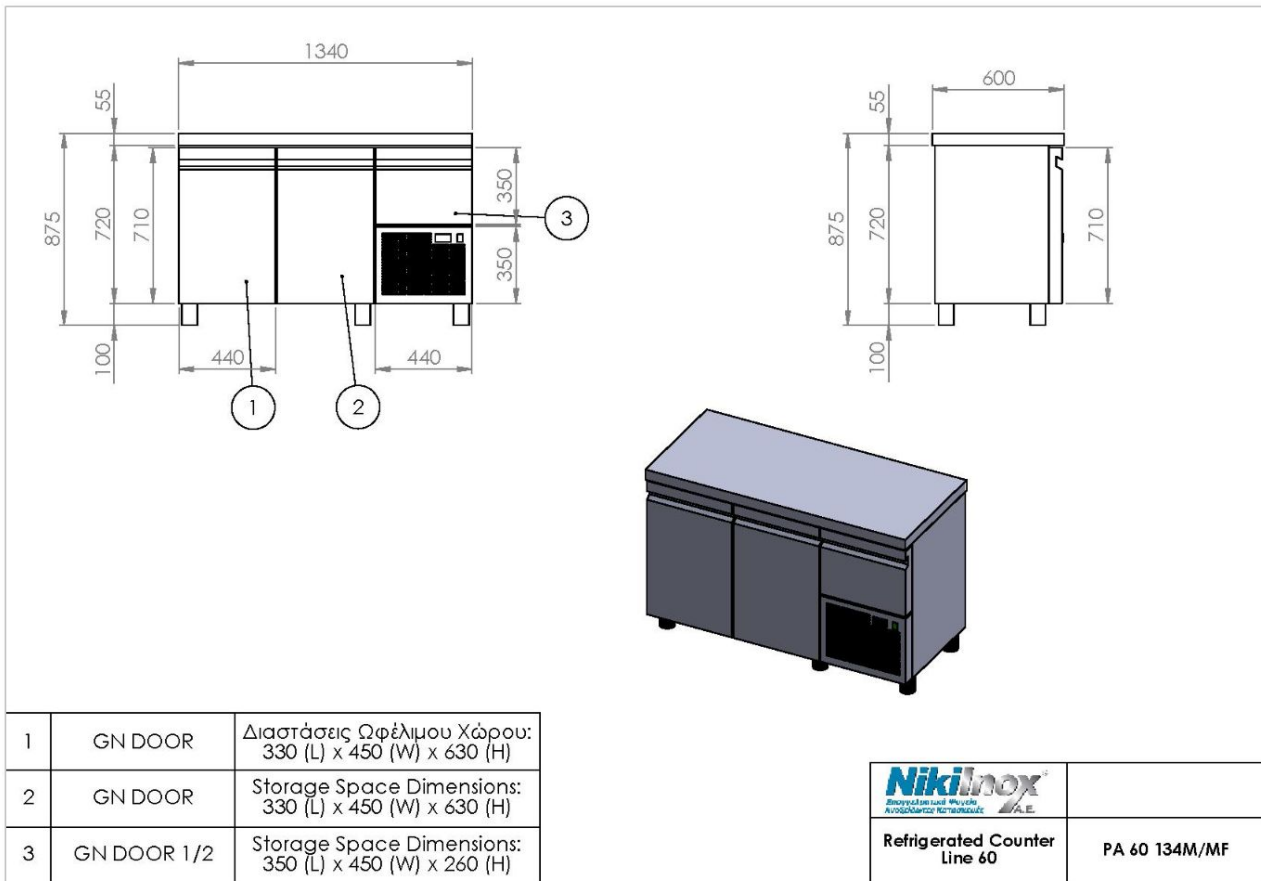
Doors: 2.5

Product Description

All refrigerators have insulation polyurethane, 1 shelf per door, magnetic sealing rubbers (Easy to change) and electronic thermostat with automatic defrost.

Product Photos

Technical Drawing



NIKI INOX S.A.

Industrial Area of Thessaloniki

P.O. Box 1056, 57022 Sindos

VAT: 082104633 G.E.MI. No:

38081805000

T: +30 2310 798 696

F: +30 2310 797 920

URL: <https://niki-inox.gr>

E: info@niki-inox.gr