

Refrigerated Counter with compressor PA 60 185M (R0PA.60185R.000)



SKU: PA 60 185M

Dimensions: 185 × 60 × 88 cm

Weight: 116 Kg

Line: Line 60

Recomended industries: STREET FOOD

Capacity: 379

Lower Temperature (C): -1

Horse Power (HP): 1/4

Higher Temperature (C): +8

Volume (m3): 0.95

Doors: 3

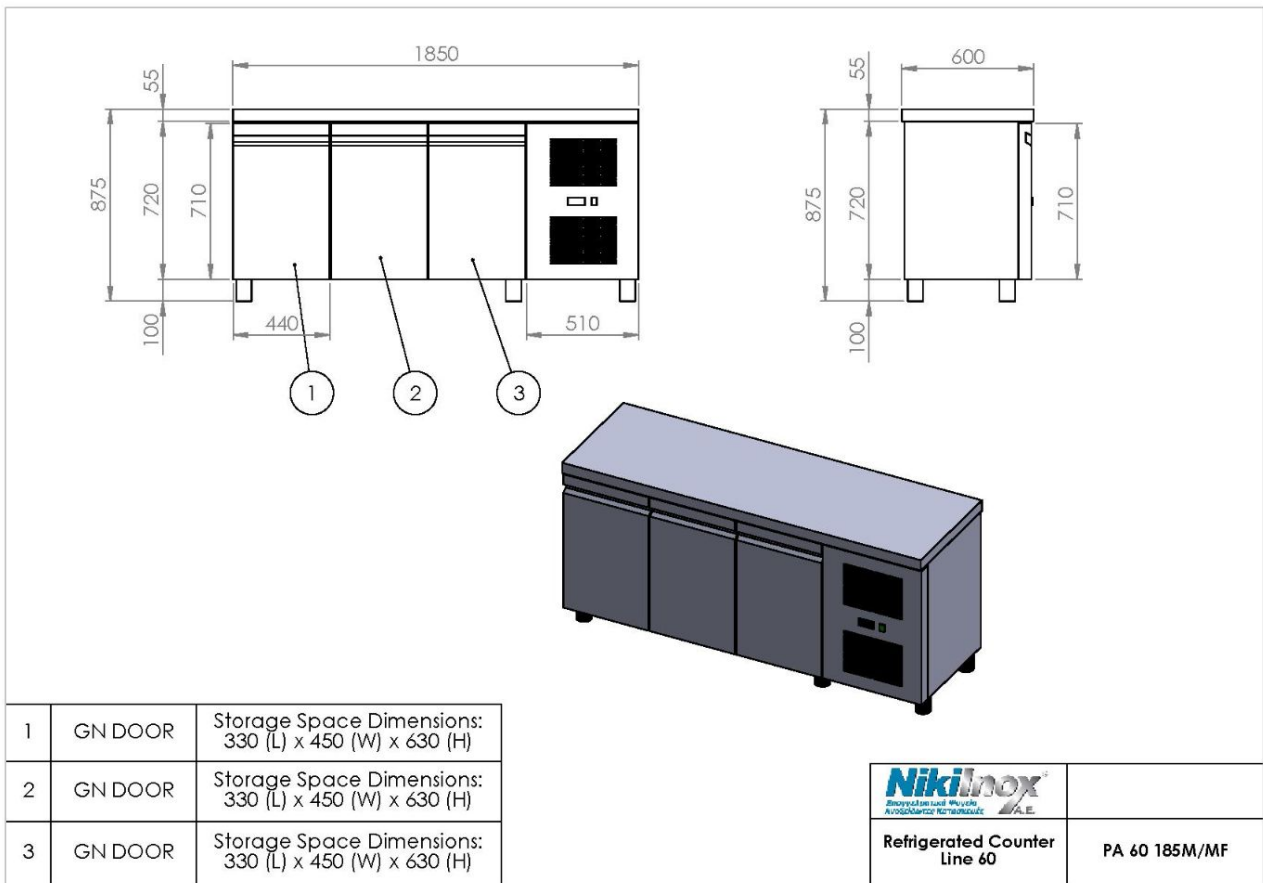
Product Description

All refrigerators have insulation polyurethane, 1 shelf per door, magnetic sealing rubbers (Easy to change) and electronic thermostat with automatic defrost.

Product Photos



Technical Drawing



NIKI INOX S.A.

Industrial Area of Thessaloniki
 P.O. Box 1056, 57022 Sindos
 VAT: 082104633 G.E.MI. No:
 38081805000

T: +30 2310 798 696
 F: +30 2310 797 920
 URL: <https://niki-inox.gr>
 E: info@niki-inox.gr