
Refrigerated Counter without compressor PA GN 150A (R0PA.GN150A.000)



SKU: PA GN 150A

Dimensions: 150 × 70 × 88 cm

Weight: 106 Kg

Recomended industries: GENERAL USE

Volume (m3): 0.90

Capacity: 458

Doors: 3

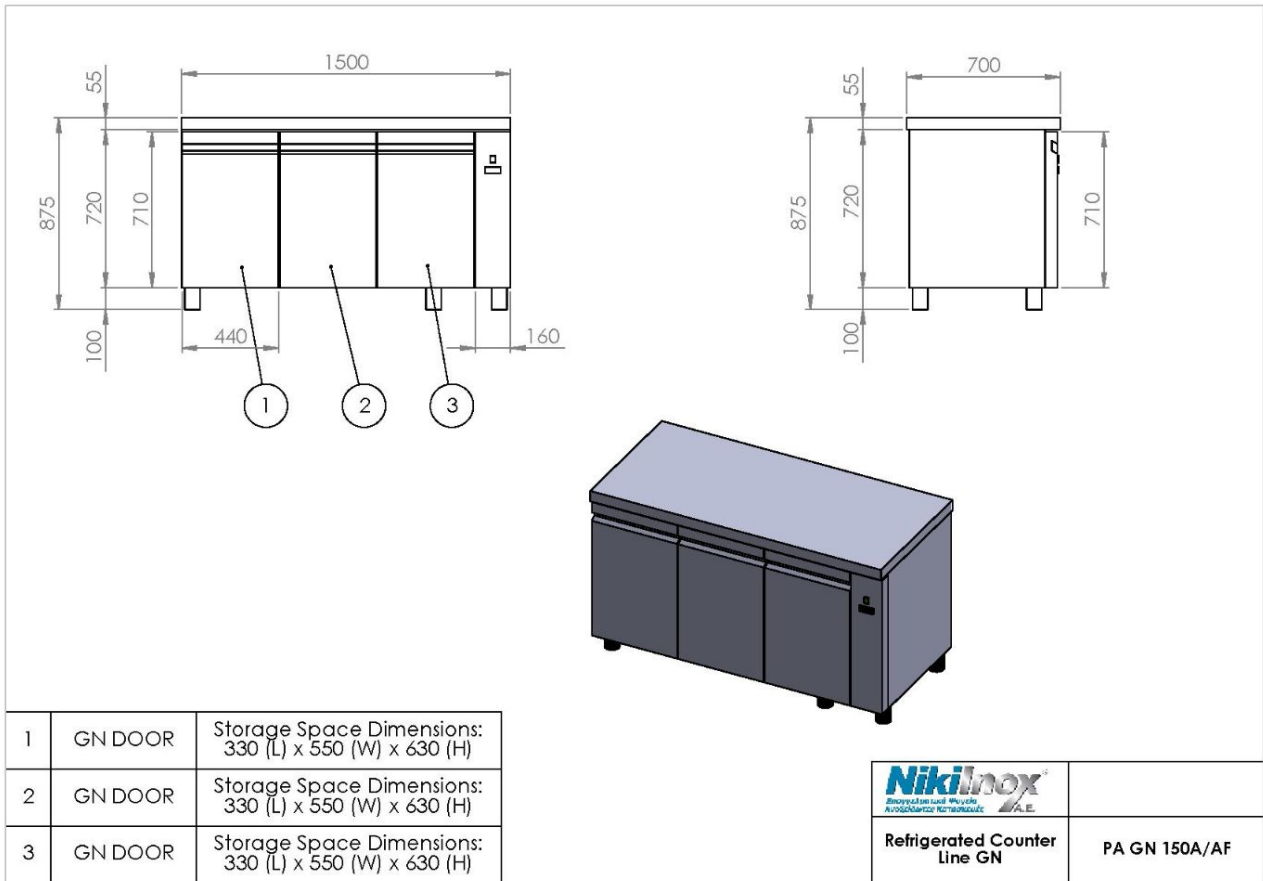
Product Description

All refrigerators have insulation polyurethane, 1 shelf per door, magnetic sealing rubbers (Easy to change), switch cabinet and electronic thermostat.

Product Photos



Technical Drawing



NIKI INOX S.A.

Industrial Area of Thessaloniki

P.O. Box 1056, 57022 Sindos

VAT: 082104633 G.E.MI. No:

38081805000

T: +30 2310 798 696

F: +30 2310 797 920

URL: <https://niki-inox.gr>

E: info@niki-inox.gr

