

## Refrigerated Counter with compressor PA GN 179M (R0PA.GN179R.000H)



**SKU: PA GN 179M**

**Dimensions:** 179 × 70 × 88 cm

**Weight:** 145 Kg

**Recommended industries:** Pizza, RESTAURANTS, STREET FOOD

**Higher Temperature (C):** +8

**Lower Temperature (C):** -1

**Volume (m3):** 1.10

**Capacity:** 550

**Horse Power (HP):** 1/4

**Doors:** 3.5

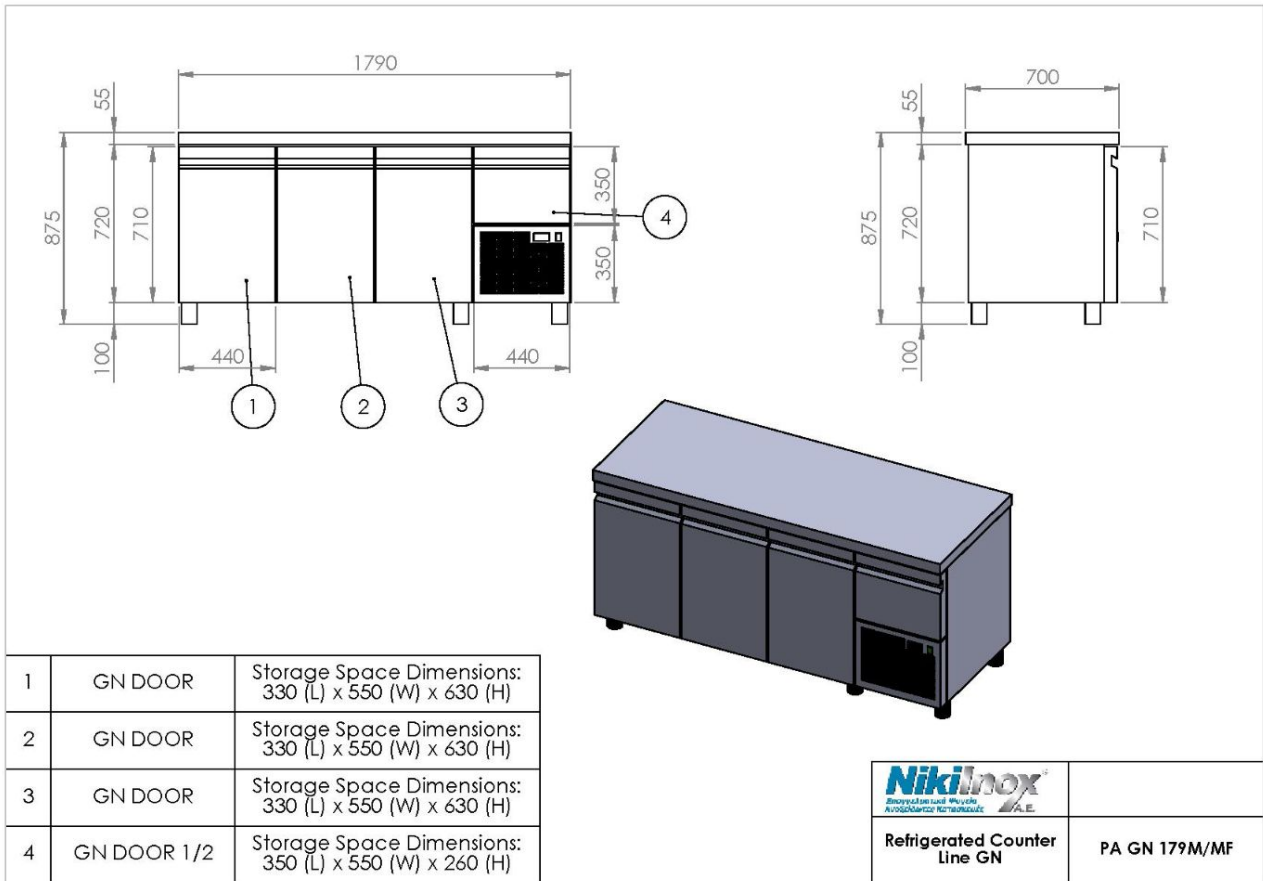
### Product Description

All refrigerators have insulation polyurethane, 1 shelf per door, magnetic sealing rubbers (Easy to change) and electronic thermostat with automatic defrost.

### Product Photos



Technical Drawing



**NIKI INOX S.A.**

Industrial Area of Thessaloniki  
 P.O. Box 1056, 57022 Sindos  
 VAT: 082104633 G.E.MI. No:  
 38081805000

T: +30 2310 798 696  
 F: +30 2310 797 920  
 URL: <https://niki-inox.gr>  
 E: [info@niki-inox.gr](mailto:info@niki-inox.gr)