

## Refrigerated Counter with compressor PA GN 089M (R0PA.GN089R.0H)



**SKU: PA GN 089M**

**Dimensions:** 89 × 70 × 88 cm

**Weight:** 77 Kg

**Line:** Line GN

**Recomended industries:** Pizza, RESTAURANTS, STREET FOOD

**Capacity:** 195

**Lower Temperature (C):** -1

**Horse Power (HP):** 1/4

**Higher Temperature (C):** +8

**Volume (m3):** 0.54

**Doors:** 1.5

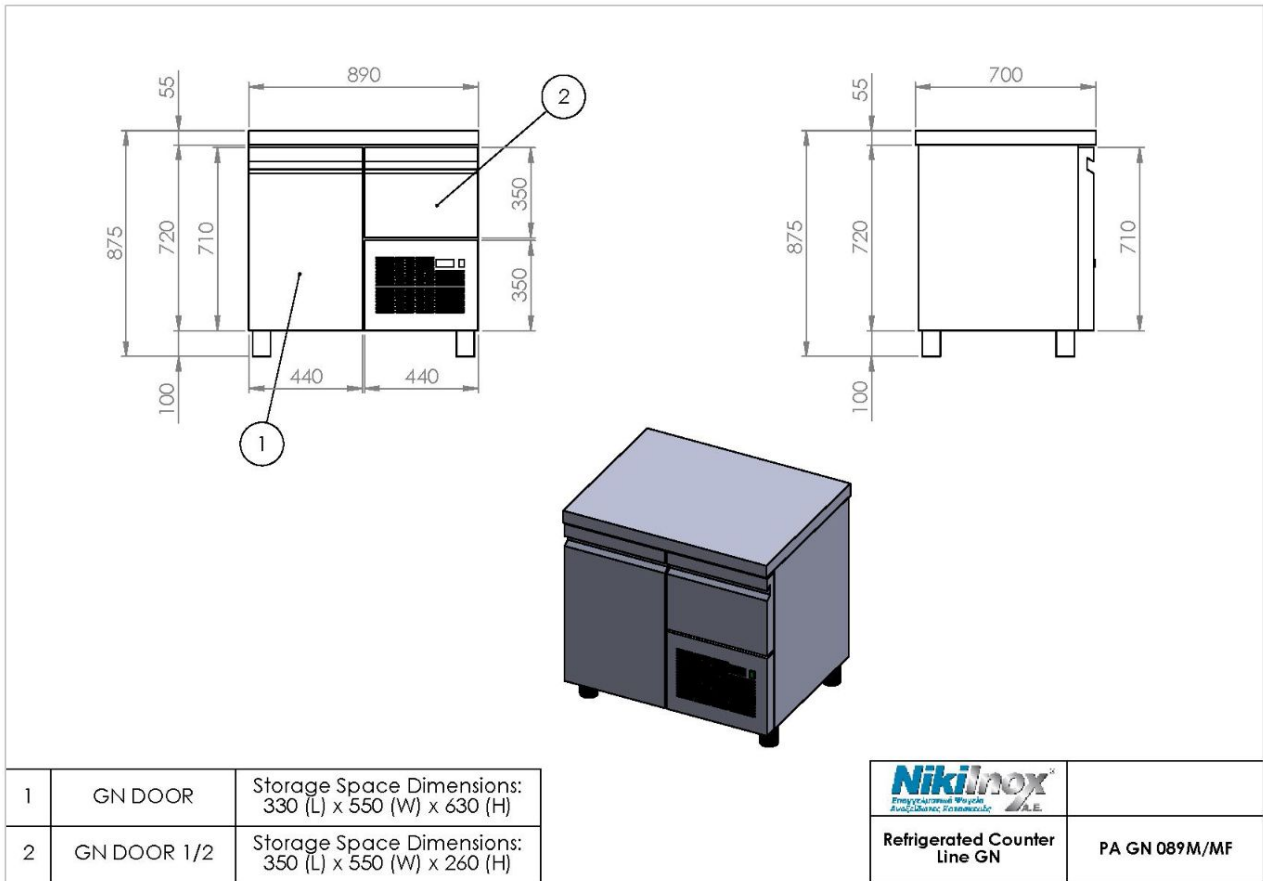
### Product Description

All refrigerators have insulation polyurethane, 1 shelf per door, magnetic sealing rubbers (Easy to change) and electronic thermostat with automatic defrost.

Product Photos



Technical Drawing



**NIKI INOX S.A.**

Industrial Area of Thessaloniki  
 P.O. Box 1056, 57022 Sindos  
 VAT: 082104633 G.E.MI. No:  
 38081805000

T: +30 2310 798 696  
 F: +30 2310 797 920  
 URL: <https://niki-inox.gr>  
 E: [info@niki-inox.gr](mailto:info@niki-inox.gr)