

## Cooling counter PA GN 185M222 (R0PA.GN185R2.222)



**SKU:** PA GN 185M222

**Dimensions:** 185 × 70 × 88 cm

**Weight:** 160 Kg

**Line:** Line GN

**Recommended industries:** BAR/COFFEE, COFFEE/BAR, GENERAL USE, HOTELS, PATISSERIE, Pizza, RESTAURANTS, SEAFOOD, STREET FOOD

**Capacity:** 458

**Lower Temperature (C):** -1

**Horse Power (HP):** 3/8

**Higher Temperature (C):** +8

**Volume (m3):** 1.11

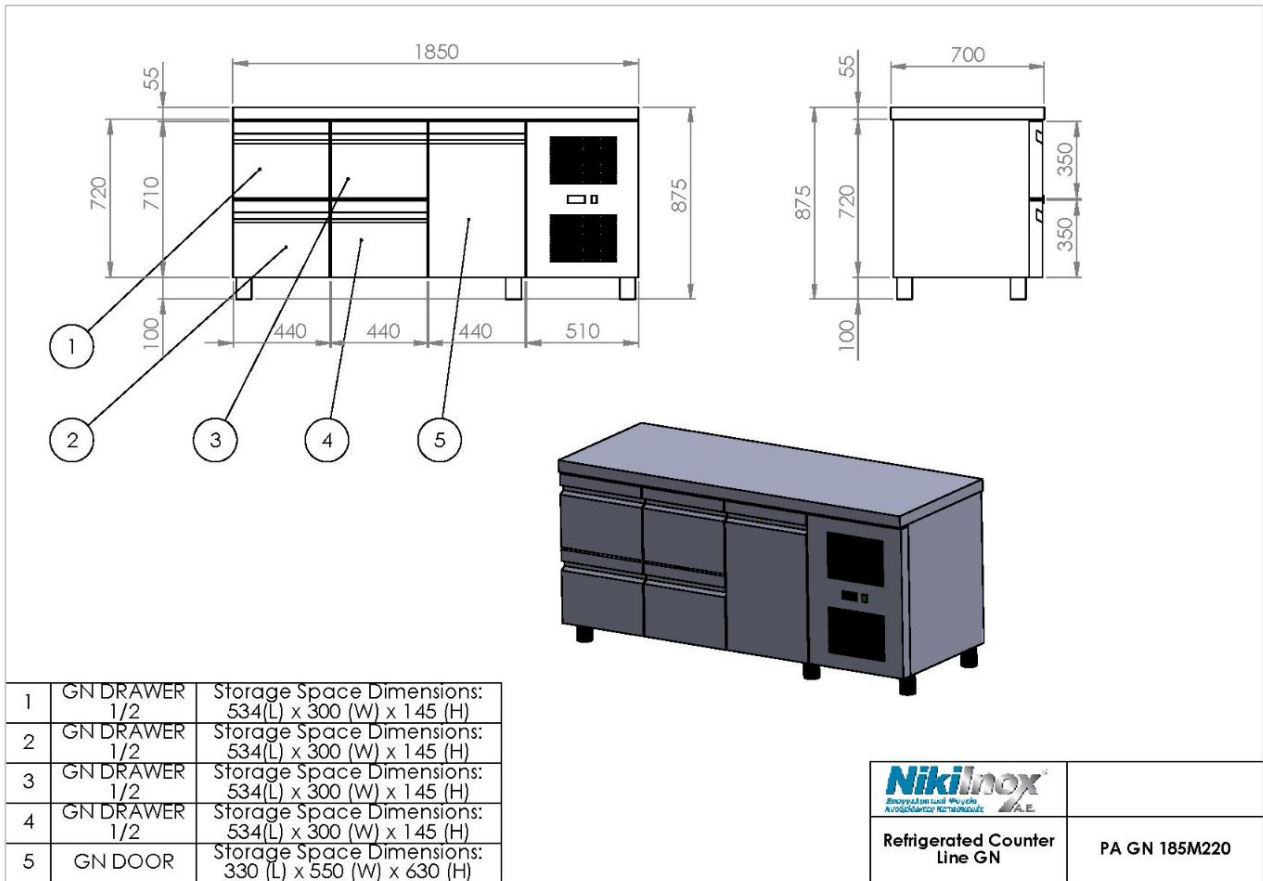
### Product Description

All refrigerated counters have AISI 304 stainless steel exterior/interior, polyurethane insulation, 1 shelf per door, magnetic sealing gaskets (clip-on, easy to change), electronic thermostat with automatic defrost, and condensation evaporation.

### Product Photos



Technical Drawing



**NIKI INOX S.A.**

Industrial Area of Thessaloniki  
P.O. Box 1056, 57022 Sindos  
VAT: 082104633 G.E.MI. No:  
38081805000

T: +30 2310 798 696  
F: +30 2310 797 920  
URL: <https://niki-inox.gr>  
E: [info@niki-inox.gr](mailto:info@niki-inox.gr)